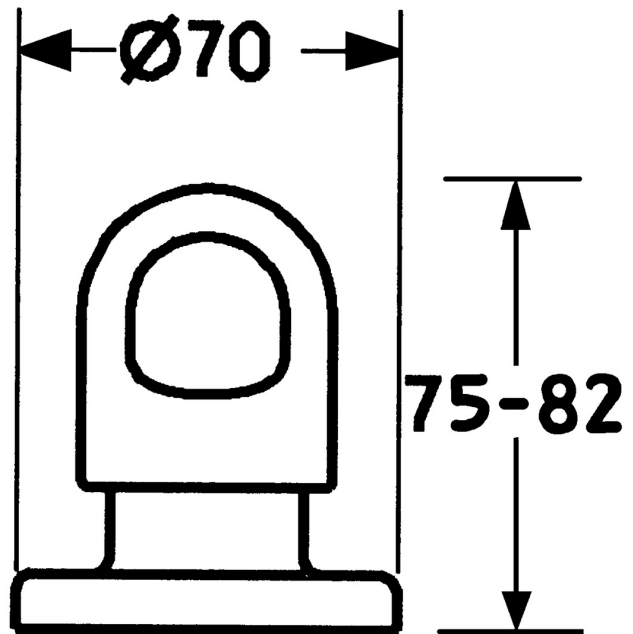
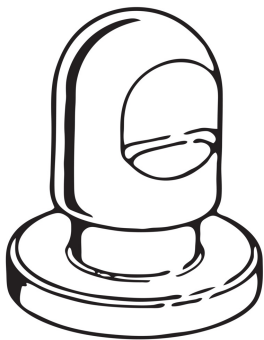


EAN: 4015474610200  
[static.hansa.com/02289135](https://static.hansa.com/02289135)

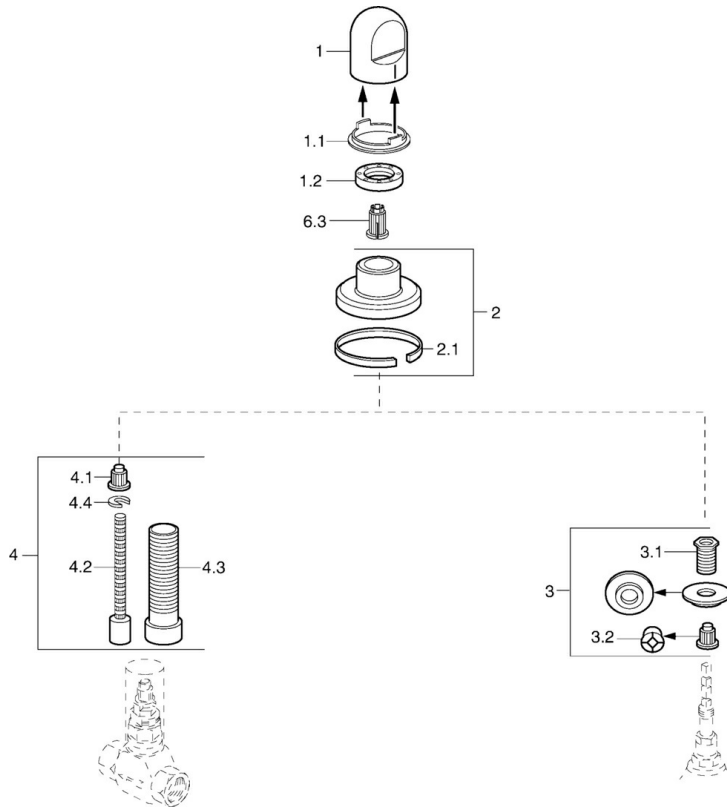


- Accessories
- Concealed wall mounting
- Chrome
- Flow control handle



### Technical data

## Spare parts



### SP02289135

	Name	Code
1	Handle White Discontinued	59910364
1	Handle	59910363
1.1	Ring	59910941
1.2	Disk, M24x1.5	59910159
2	Cover flange Chrome/Satin Discontinued	59910095
2	Cover flange, d 70 mm	59910094
2	Cover flange White Discontinued	59910096
2.1	Rubber gasket	59912463
3	Adapter	59911033
3.1	Thread nipple, M12x1/M15x1, AF17	59902708
3.2	Adapter Blue	59911052
4	Raising kit, 80 mm	59910424
4.1	Adapter White	59910235
4.2	Inside spindle	59910379
4.3	Threaded sleeve, M24x1.5	59910100
4.4	Ring	59910694