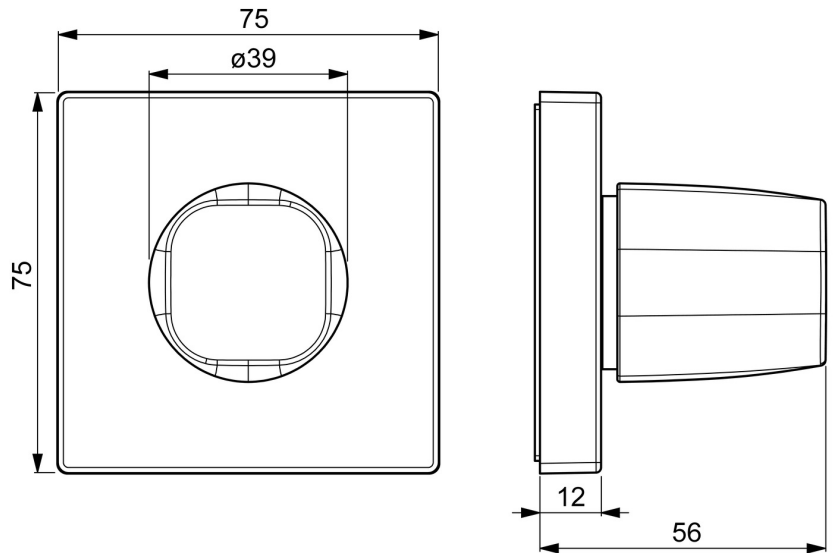
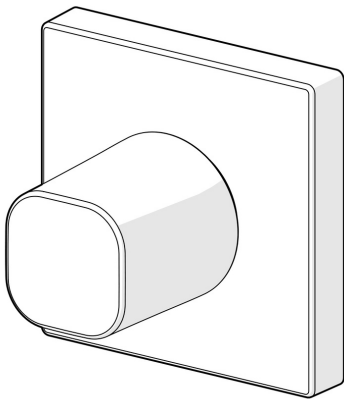


EAN: 4057304001109
static.hansa.com/02288202

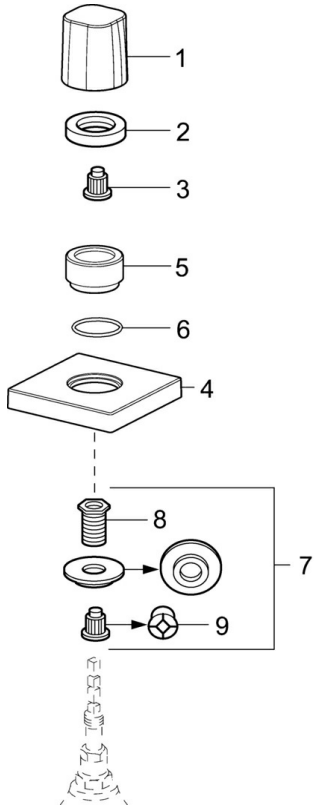


- Accessories
- Trim Kit
- Concealed wall mounting
- Chrome
- Flow control handle
- Square rosette
- suitable for concealed valves with ceramic or spindle head part



Technical data

Spare parts



SP02288202

	Name	Code
01	Handle Discontinued	59914527
02	Tightening nut, d35.5xM24x1	59912023
03	Adapter White	59910235
04	Cover flange, 75x75 mm Discontinued	59913435
05	Cover sleeve	59913434
06	O-ring, d 27x2	59901532
07	Adapter	59911033
08	Thread nipple, M12x1/M15x1, AF17	59902708
09	Adapter Blue	59911052