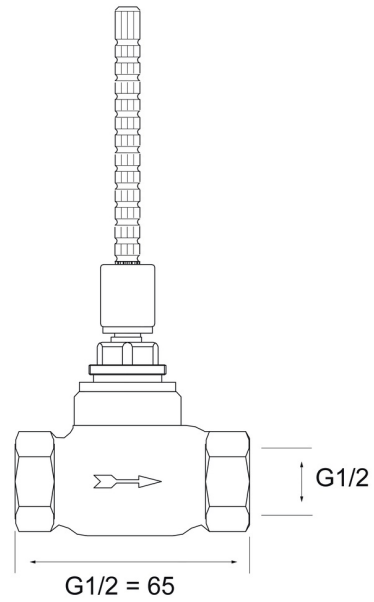
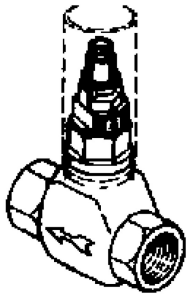


EAN: 4015474606562
static.hansa.com/02250100



- Accessories
- Concealed unit
- Concealed wall mounting
- Ceramic head part for flow control
- Inner body made of DZR brass
- Sleeve



Technical data

Flow properties

Flow-rate at 3 bar **30.0 l/min**

Technical properties

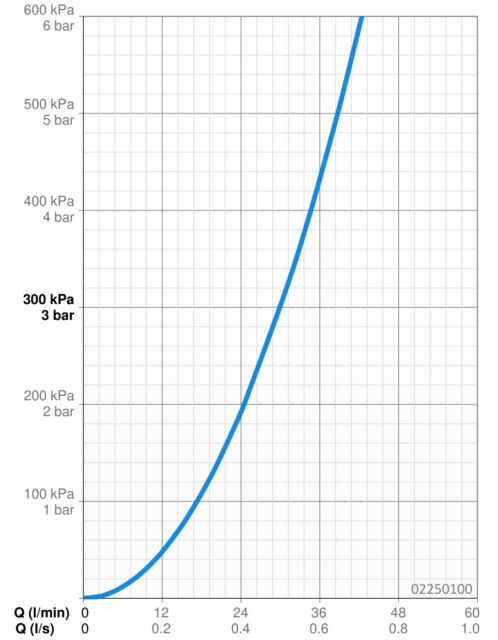
DN-size (nominal dimension) **DN15**
 Hot water supply **max. +80°C**
 Working pressure **1-10 bar**
 Connection size **G1/2**

Regulations

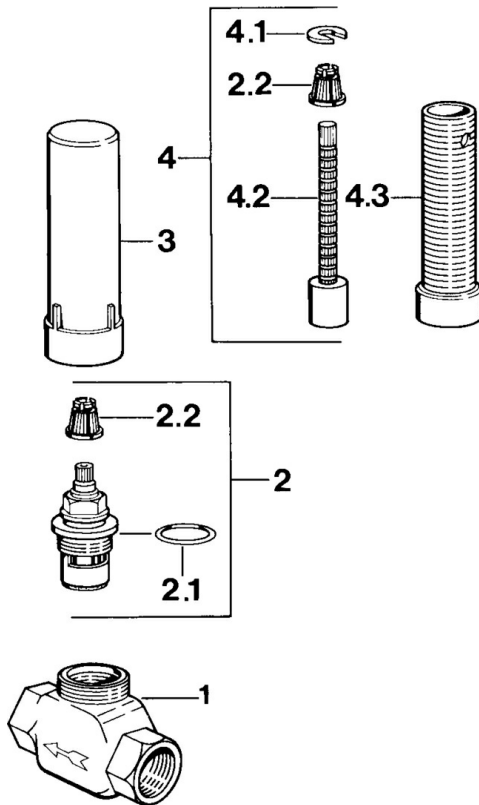
EN standard **EN 200**

Approvals and Declarations

Declaration of conformity **DoC**



Spare parts



SP02250100

	Name	Code
2	Headpart, G3/4, 180°	59910383
2.1	O-ring, 23x1.78	59910693
2.2	Adapter White	59910235
3	Protective cap	59910667
4	Raising kit, 80 mm	59910424
4.1	Ring	59910694
4.2	Inside spindle	59910379
4.3	Threaded sleeve, M24x1.5	59910100