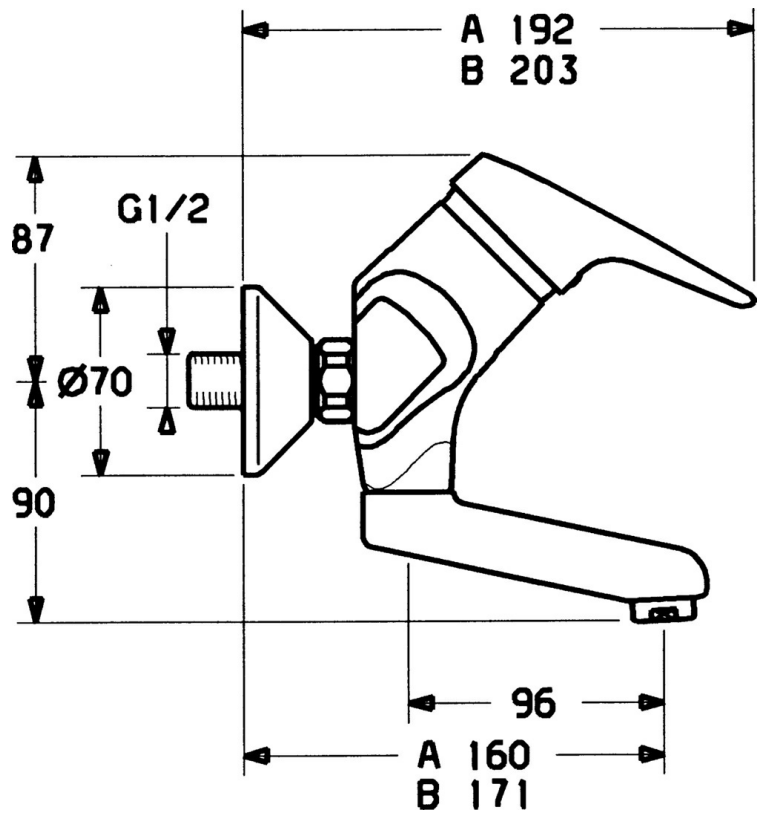


EAN: 4015474642836
static.hansa.com/01968202



- Washbasin
- Single-lever
- Wall mounted
- Chrome
- Single operating lever/handle, Hot/Cold symbols



Technical data

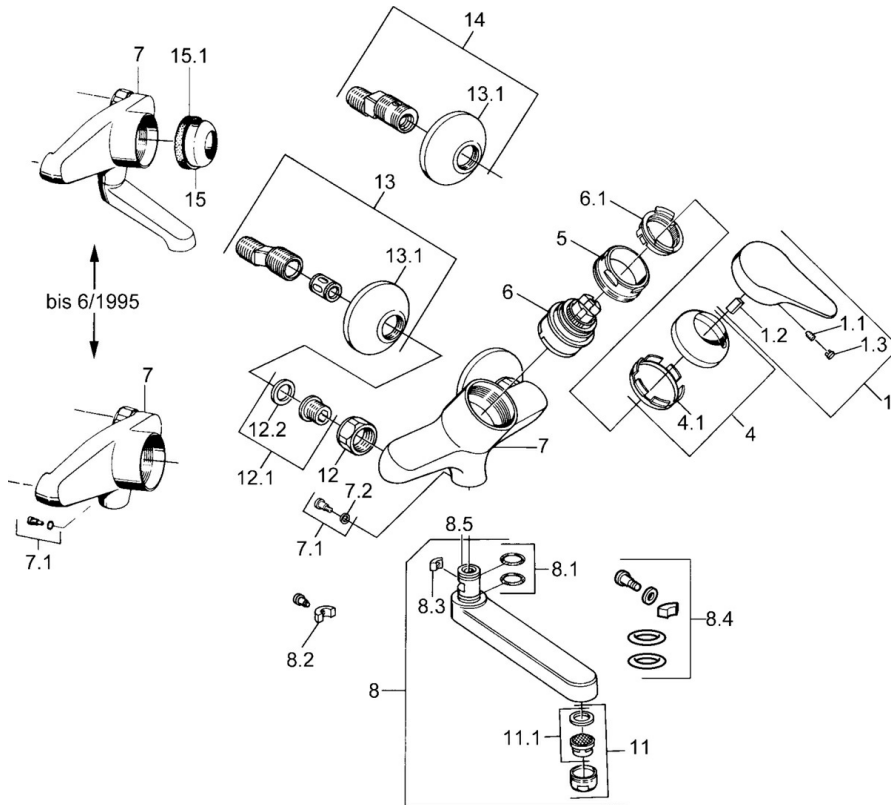
Technical properties

| | |
|------------------------------|------------|
| Hot water supply | max. +80°C |
| Working pressure | 0.5-10 bar |
| Backflow prevention (EN1717) | AA |
| Material | Brass |

Regulations

| | |
|-------------|--------|
| EN standard | EN 817 |
|-------------|--------|

Spare parts



SP01968102

| | Name | Code |
|------|-----------------------------|----------|
| 1 | Lever, (-2004) | 59901882 |
| 1.1 | Screw, M5x8, SW2.5 | 59904755 |
| 1.2 | Bushing | 59904778 |
| 1.3 | Plug, hot/cold | 59906705 |
| 4 | Covering cap | 59906563 |
| 4.1 | Fixing sleeve | 59906695 |
| 5 | Eye screw, M50x1, SW45 | 59904775 |
| 6 | Cartridge, 4.8 eco | 59904601 |
| 6.1 | Hot water limiter | 59904759 |
| 7.1 | Fixing screw, M6x12, AF2.5 | 59904804 |
| 8 | Spout, L=235 | 59910417 |
| 8 | Spout, L=145 | 59911380 |
| 8 | Spout, L=170 | 59911183 |
| 8 | Spout, L=96 | 59910419 |
| 8.1 | O-ring, d 15x2.5 | 59910423 |
| 8.2 | Limiter | 59910421 |
| 8.3 | Limiter | 59910422 |
| 11 | Aerator, M24x1 Z | 59906826 |
| 11.1 | Aerator, M22/24, Z | 59906830 |
| 12 | Connection nut, G3/4, AF30 | 59902230 |
| 12.1 | Seat, G1/2, L, WAF10 | 59904618 |
| 12.2 | Retaining ring, 23.9x15.2x2 | 59902689 |
| 13 | Eccentric, G3/4xG1/2 | 59904793 |
| 13.1 | Cover flange | 59904796 |