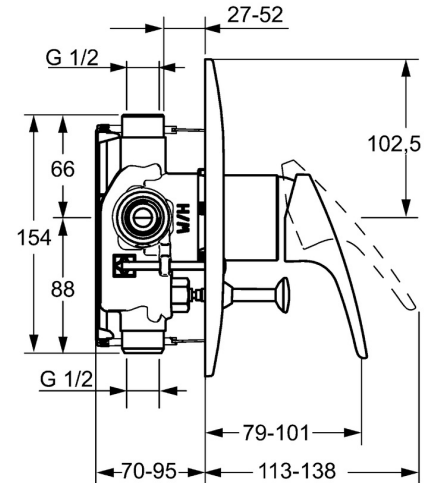
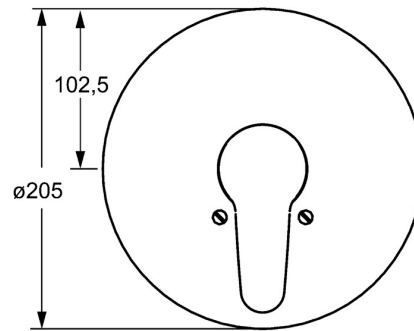
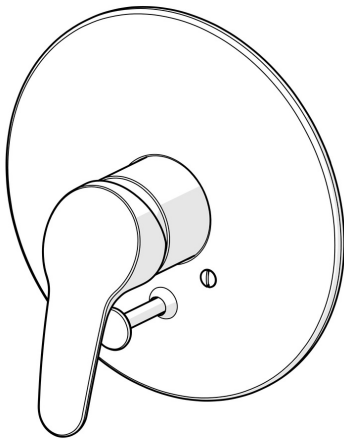


EAN: 4015474271449
static.hansa.com/01849183



- Bathtub & Shower
- Single-lever, Trim Kit
- Concealed wall mounting
- Chrome
- Hot/Cold symbols, Single operating lever/handle
- Pull operated diverter, Automatic reset
- Round rosette, Cover plate fixed with screws
- Renovation solution for already installed concealed bodies



Technical data

Technical properties

| | |
|------------------|------------|
| Hot water supply | max. +80°C |
| Working pressure | 0.5-10 bar |

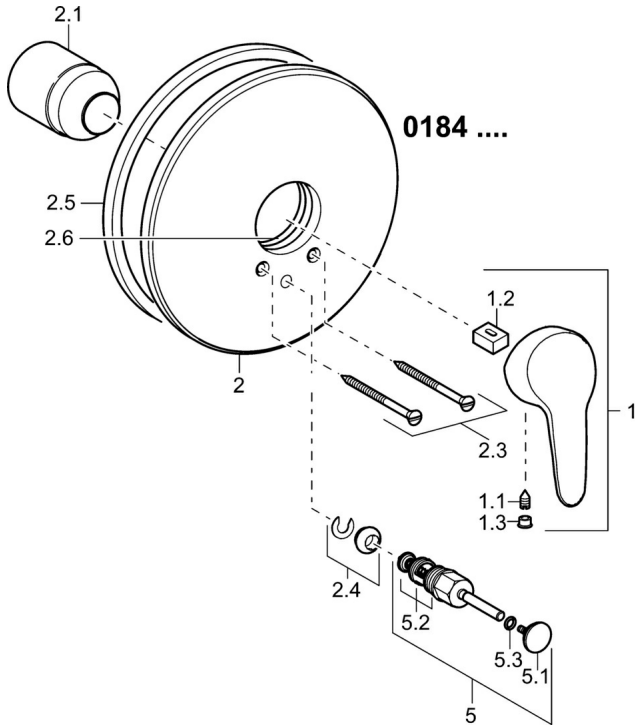
Regulations

| | |
|-------------|--------|
| EN standard | EN 817 |
|-------------|--------|

Approvals and Declarations

| | |
|---------------------------|-----|
| Declaration of conformity | DoC |
|---------------------------|-----|

Spare parts



SP01849183

| | Name | Code |
|------|-----------------------|----------|
| 1 | Long lever, L=138 | 01880076 |
| 1 | Lever, L=93 mm | 01880083 |
| 1.1 | Screw, M5x8, SW2.5 | 59904755 |
| 1.2 | Bushing | 59904778 |
| 1.3 | Symbol plug Grey | 59912112 |
| 2 | Cover plate, d 205 mm | 59911967 |
| 2.1 | Covering cap | 59904820 |
| 2.3 | Screw, M5x65 | 59904847 |
| 2.4 | Flow limiting cap | 59904846 |
| 2.5 | Rubber gasket | 59912232 |
| 2.6 | O-ring, 55x2 | 59912543 |
| 5 | Diverter | 59910900 |
| 5.1 | Push button | 59904828 |
| 5.2 | Sealing kit | 59904791 |
| 5.3 | O-ring, d 4x1 | 59902331 |
| N.I. | Raising kit, 20 mm | 59904983 |

