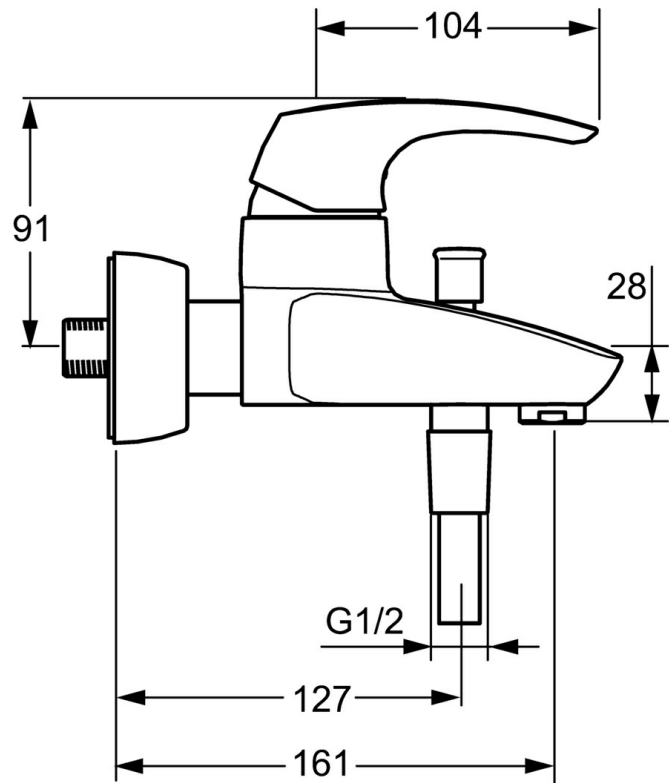
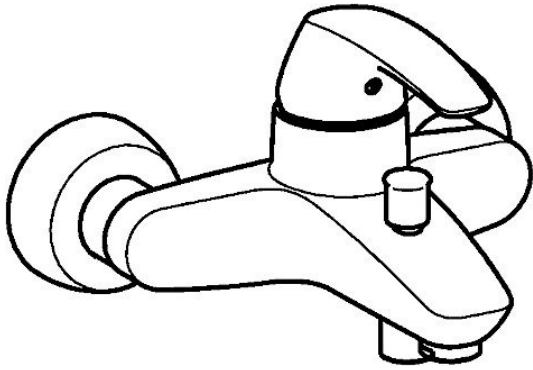


EAN: 4015474254343  
[static.hansa.com/01782174](https://static.hansa.com/01782174)



- Bath tub & Shower
- Single-lever
- Wall mounted
- Chrome
- Hot/Cold symbols, Single operating lever/handle
- Pull operated diverter, Automatic reset
- Non-return valve(s)
- Eccentric coupling(s), Cover plate(s), Silencer(s)
- Inner body made of DZR brass
- protected against back-flow in domestic use (according to DIN EN 1717)



## Technical data

### Flow properties

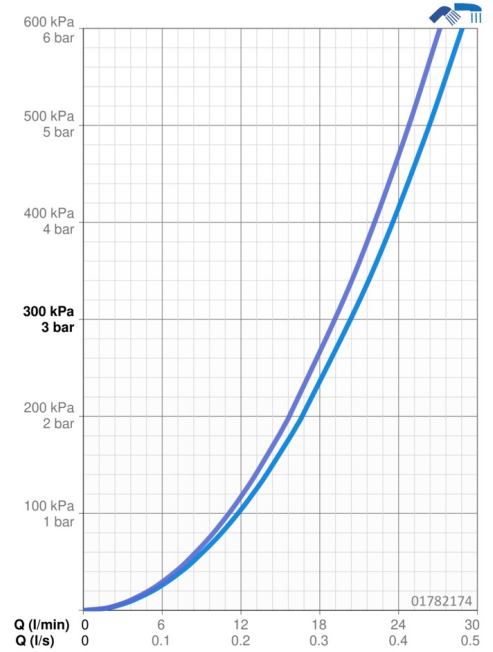
Flow-rate at 3 bar **20.4 / 19.2 l/min**

### Technical properties

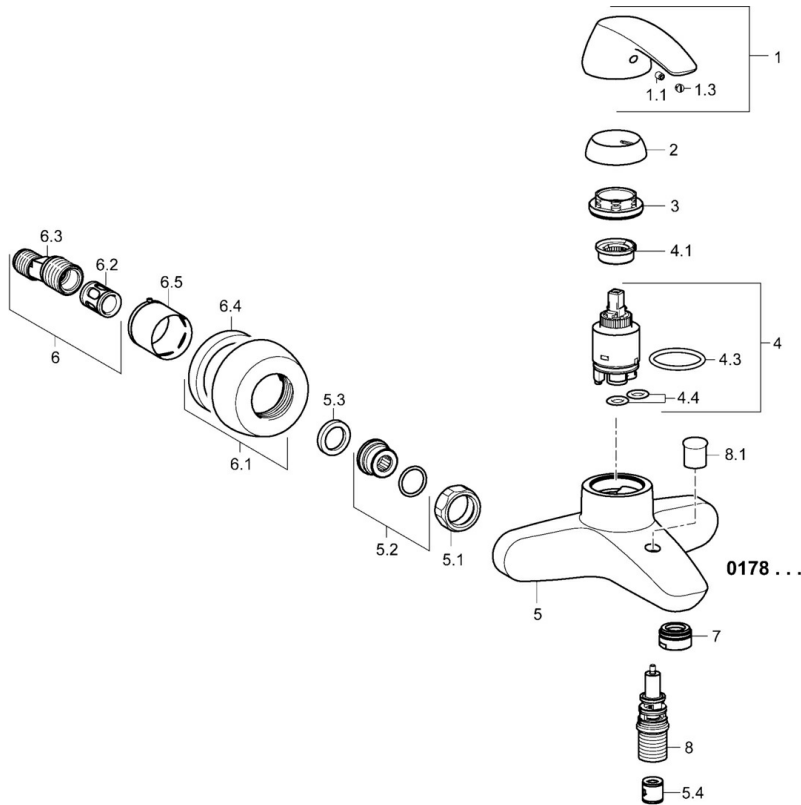
Hot water supply **max. +80°C**  
 Working pressure **0.5-10 bar**  
 Projection **161 mm**  
 Backflow prevention (EN1717) **EB**

### Regulations

EN standard **EN 817**



## Spare parts



### SP01782174

	Name	Code
1	Lever	59913831
1.1	Screw, M5x8, SW2.5	59904755
1.3	Symbol plug Grey	59912112
2	Covering cap Discontinued	59912797
3	Fixing screw, M40x1, SW34	59913834
4	Cartridge, 3.5 Eco	59912324
4	Cartridge, 3.5 Classic	59913075
4.1	Temperature adjustment limiter	59912325
4.3	O-ring, d 28.24x2.62 Discontinued	59912590
4.4	O-ring, d 10.10x1.60 Discontinued	59905072
5.1	Connection nut, G3/4, AF30	59902230
5.2	Connector	59913400
5.3	Retaining ring, 23.9x15.2x2	59902689
5.4	Non-return valve	59905714
6.1	Cover flange	59912652
6.2	Silencer	59904792
6.3	Eccentric connector, G3/4xG1/2, DN15	59910254
6.5	Cover sleeve	59912651
7	Aerator, M24x1 C	59913401
8	Diverter	59912706
8.1	Diverter knob	59913402
N.I.	Key, SW30/34	59912108