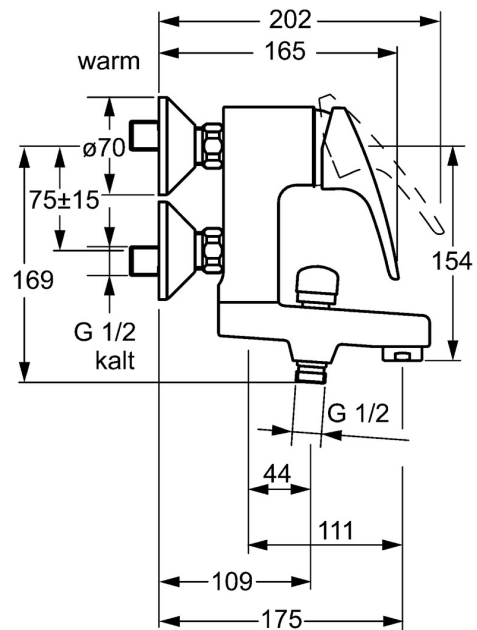
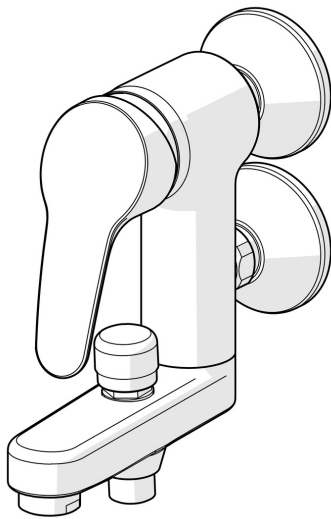


EAN: 4015474271555  
[static.hansa.com/01772183](http://static.hansa.com/01772183)



- Bath tub & Shower
- Single-lever
- Wall mounted
- Chrome
- Single operating lever/handle, Hot/Cold symbols
- Pull operated diverter, Automatic reset
- Limitation option for maximum temperature and flow-rate, Adjustable hot water stop (included, retrofittable)
- $\varnothing$  48 mm ceramic eco cartridge for flow and temperature control, Non-return valve(s)
- Silencer(s)
- Inner body made of DZR brass
- protected against back-flow in domestic use (according to DIN EN 1717)



## Technical data

### Flow properties

Flow-rate at 3 bar **22.8 / 21.0 l/min**

### Technical properties

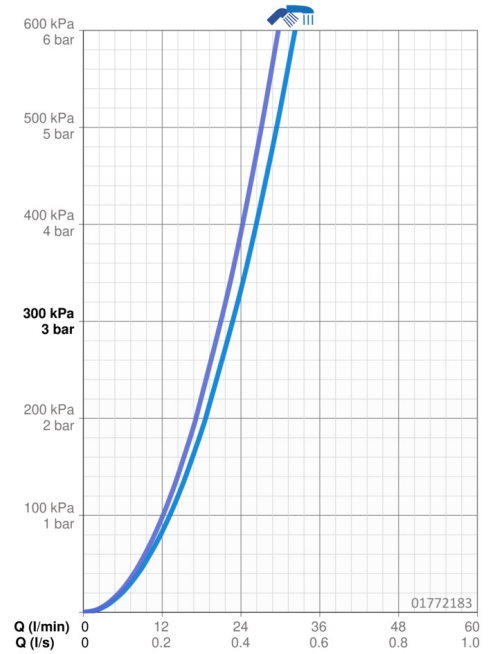
DN-size (nominal dimension) **DN15**  
 Hot water supply **max. +80°C**  
 Working pressure **0.5-10 bar**  
 Projection **175 mm**  
 Backflow prevention (EN1717) **EB**

### Regulations

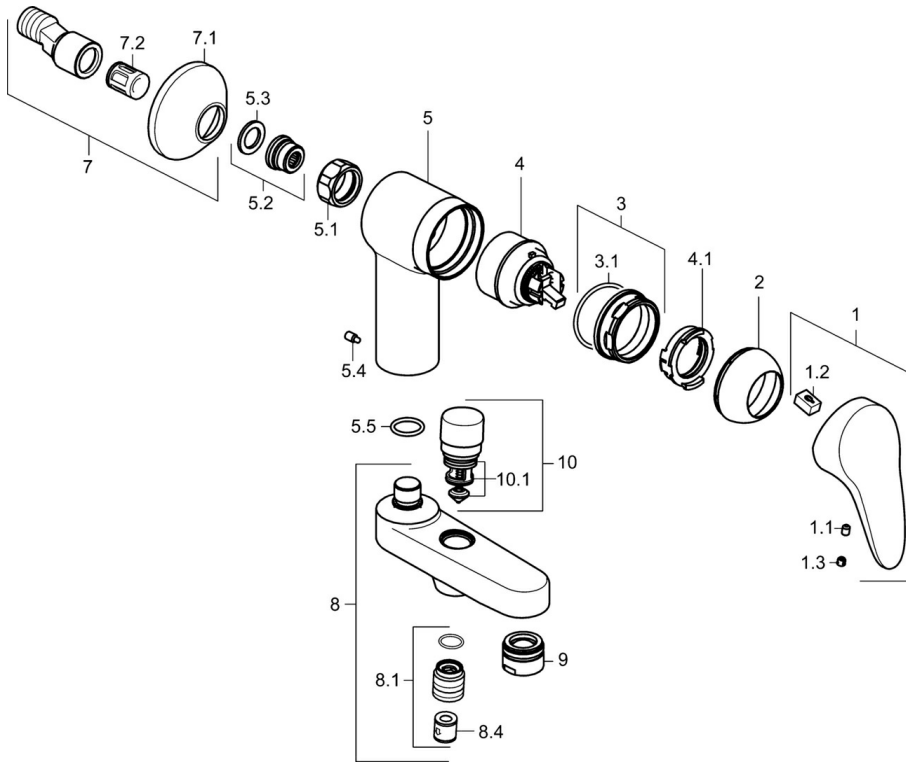
EN standard **EN 817**  
 Noise class **I (ISO 3822)**

### Approvals and Declarations

Declaration of conformity **DoC**



## Spare parts



### SP01772183

	Name	Code
1	Lever, L=87 mm	59914195
1	Lever, L=93 mm	01880083
1.1	Screw, M5x8, SW2.5	59904755
1.2	Bushing	59904778
1.3	Symbol plug Grey	59912112
2	Covering cap	59912638
3	Eye screw, M50x1, SW45	59904775
3.1	O-ring, d 43x2.5	59911166
4	Cartridge, 4.8 eco	59904601
4.1	Hot water limiter	59904759
5.1	Connection nut, G3/4, AF30	59902230
5.2	Seat, G1/2, L, WAF10	59904618
5.3	Retaining ring, 23.9x15.2x2	59902689
5.4	Screw, M4x8 Discontinued	59901419
5.5	O-ring, 18x2.5	59902342
7	Eccentric, G3/4xG1/2	59904793
7.1	Cover flange	59904796
7.2	Silencer	59904792
8	Spout Discontinued	59911383
8.1	Thread nipple, G1/2xM18x1	59911384
8.4	Non-return valve	59905714
9	Aerator, M28x1 D	59907198
10	Diverter	59912656
10.1	Sealing kit	59904791
N.I.	Key, SW45/SW50	59905190