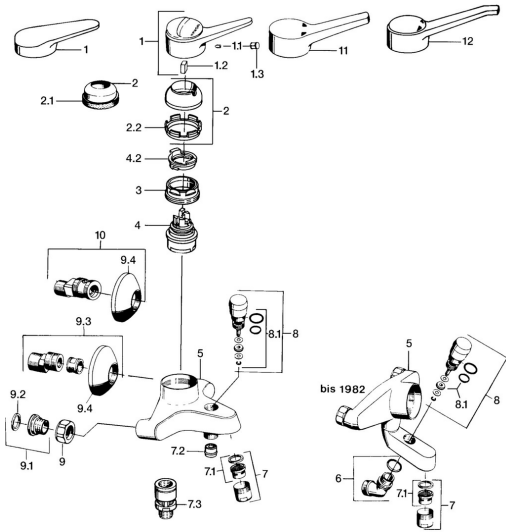


EAN: 4015474019584  
[static.hansa.com/01742186](http://static.hansa.com/01742186)



- Bathtub & Shower
- Single-lever
- Wall mounted
- Chrome
- Single operating lever/handle, Hot/Cold symbols
- Non-return valve(s)

## Technical data

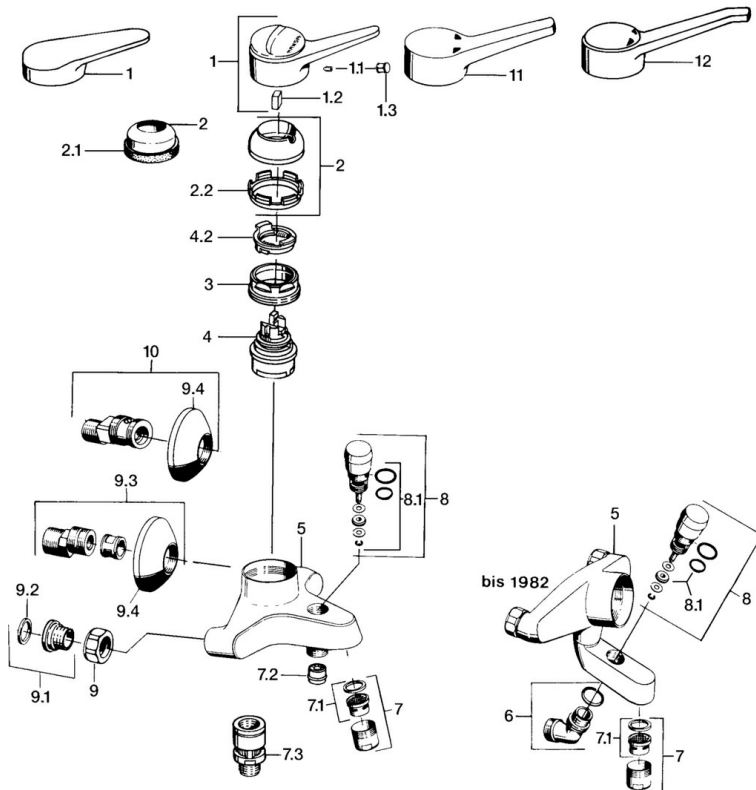
### Technical properties

Hot water supply	<b>max. +80°C</b>
Working pressure	<b>0.5-10 bar</b>
Backflow prevention (EN1717)	<b>EB</b>

### Regulations

EN standard	<b>EN 817</b>
-------------	---------------

## Spare parts



### SP01742102

	Name	Code
1	Lever, (-2004)	59901882
1.1	Screw, M5x8, SW2.5	59904755
1.2	Bushing	59904778
1.3	Plug, hot/cold	59906705
2	Covering cap, (-1994) Discontinued	59904756
2	Covering cap	59906563
2.2	Fixing sleeve	59906695
3	Eye screw, M50x1, SW45	59904775
4	Cartridge, 4.8 eco	59904601
4.2	Hot water limiter	59904759
7	Aerator, M28x1 C	59902088
7.1	Aerator, M28x1 C Discontinued	59902089
7.2	Non-return valve	59905714
7.3	Vacuum breaker, DN15	59911330
8	Diverter	59910803
8.1	Sealing kit	59904791
9	Connection nut, G3/4, AF30	59902230
9.1	Seat, G1/2, L, WAF10	59904618
9.2	Retaining ring, 23.9x15.2x2	59902689
9.3	Eccentric, G3/4xG1/2	59904793
9.4	Cover flange	59904796