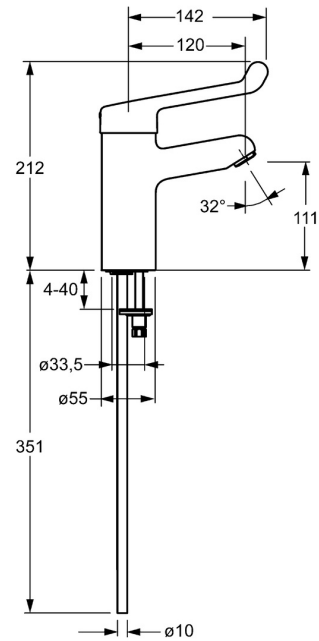


EAN: 4015474267053
static.hansa.com/01712192



- Health & Care
- Single-lever
- Deck mounted
- Chrome
- Fixed spout
- Laminar stream
- Long shape, Safety feature for water temperature, Hot/Cold symbols, Single operating lever/handle
- \varnothing 35 mm ceramic cartridge for flow and temperature control
- Copper inlet pipes
- Surfaces in contact with drinking water contain less than 0.3% lead, Inner body made of DZR brass, Waterways without nickel coating, Rapid installation system
- Without pop-up waste, Without draw-rod opening
- Safety control cartridge with operation on one level



Technical data

Flow properties

Flow-rate at 3 bar (with flow controller) **6.0 l/min**

Technical properties

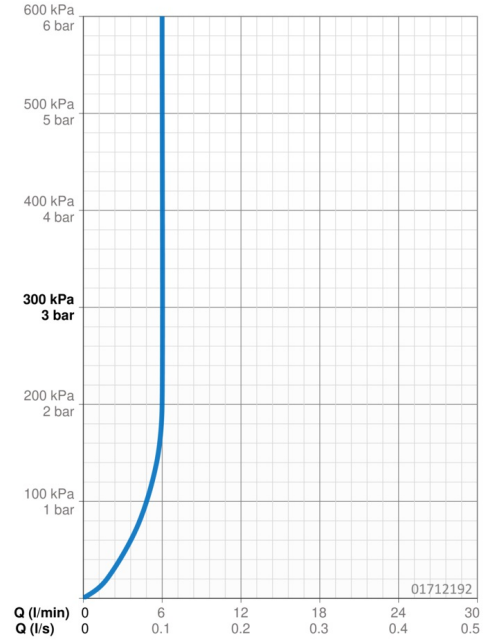
DN-size (nominal dimension) **DN15**
 Hot water supply **max. +80°C**
 Working pressure **0.5-10 bar**
 Connection size **Ø 10 mm**
 Projection **120 mm**
 Backflow prevention (EN1717) **AA**
 Material **Brass**

Regulations

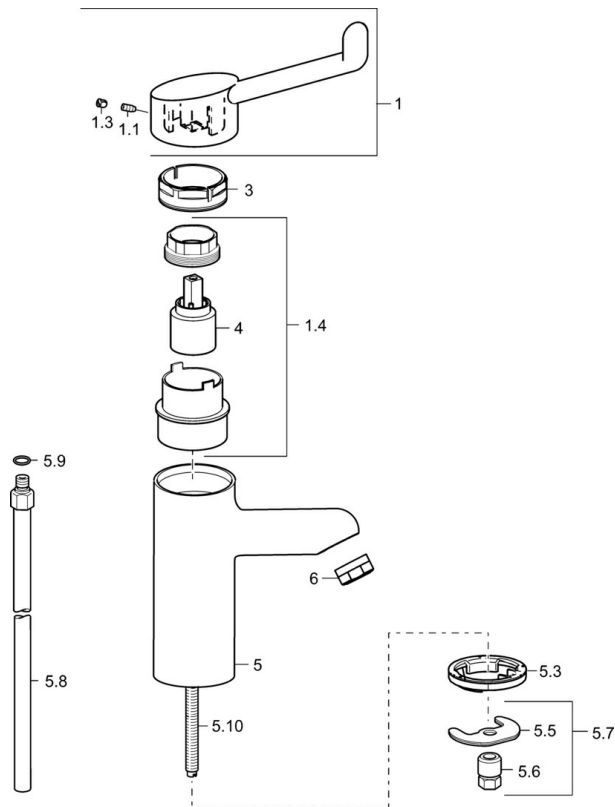
EN standard **EN 817**
 Noise class **I (ISO 3822)**

Approvals and Declarations

DVGW **NW-6506CR0028**
 ABP **PA-IX 29892/IO**
 Declaration of conformity **DoC**



Spare parts



SP01712192

	Name	Code
1	Long lever, L=142 Discontinued	02460002
1.1	Screw, M5x8, SW2.5	59904755
1.3	Cover plug	59913762
1.4	Diverter housing Discontinued	02710000
3	Tightening nut, M50x1, SW45	59914070
4	Cartridge	59913949
5.3	Bottom seal	59914591
5.5	Fixing plate	59904765
5.6	Screw, M8x1, SW13	59904766
5.7	Fixing set	59910749
5.8	Coupling pipe, L=430, M10x1	59912550
5.9	O-ring, d 7.65x1.78	59902337
5.10	Fixing screw, M8x1, L=140	59912474
6	Aerator, M24x1 STD HC, 6 l/min Laminar	59914068