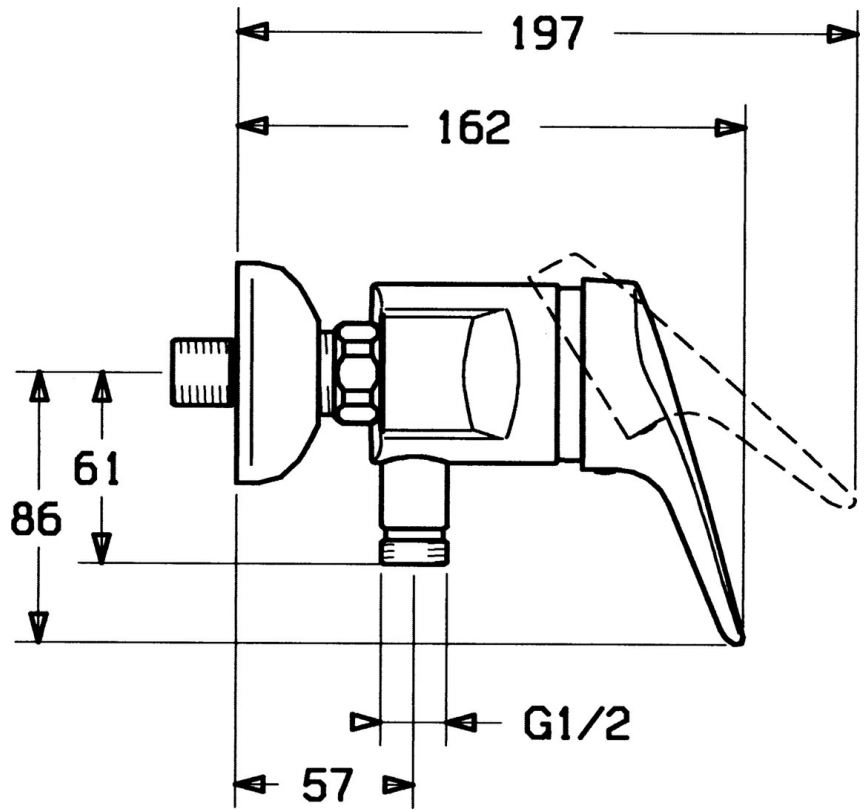


EAN: 4015474558052  
[static.hansa.com/01670102](http://static.hansa.com/01670102)



- Shower solutions
- Single-lever
- Wall mounted
- Chrome
- Single operating lever/handle, Hot/Cold symbols
- Non-return valve(s)



## Technical data

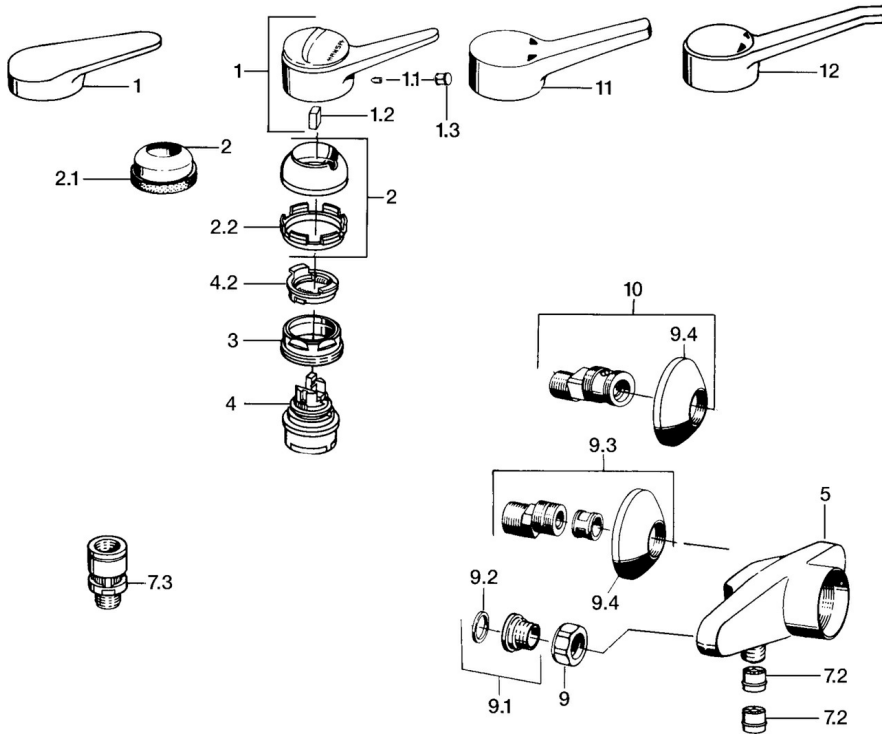
### Technical properties

Hot water supply	max. +80°C
Working pressure	0.5-10 bar
Backflow prevention (EN1717)	EB

### Regulations

EN standard	EN 817
-------------	--------

## Spare parts



### SP01670102

	Name	Code
1	Lever, (-2004)	59901882
1.1	Screw, M5x8, SW2.5	59904755
1.2	Bushing	59904778
1.3	Plug, hot/cold	59906705
2	Covering cap	59906563
2.1	Fixing sleeve	59906695
2.2	Fixing sleeve	59906695
3	Eye screw, M50x1, SW45	59904775
4	Cartridge, 4.8 eco	59904601
4.2	Hot water limiter	59904759
7.2	Non-return valve	59905714
7.3	Vacuum breaker, DN15	59911330
9	Connection nut, G3/4, AF30	59902230
9.1	Seat, G1/2, L, WAF10	59904618
9.2	Retaining ring, 23.9x15.2x2	59902689
9.3	Eccentric, G3/4xG1/2	59904793
9.4	Cover flange	59904796
10	Eccentric coupling with stop valves and cover plates, G1/2xG3/4	59902034