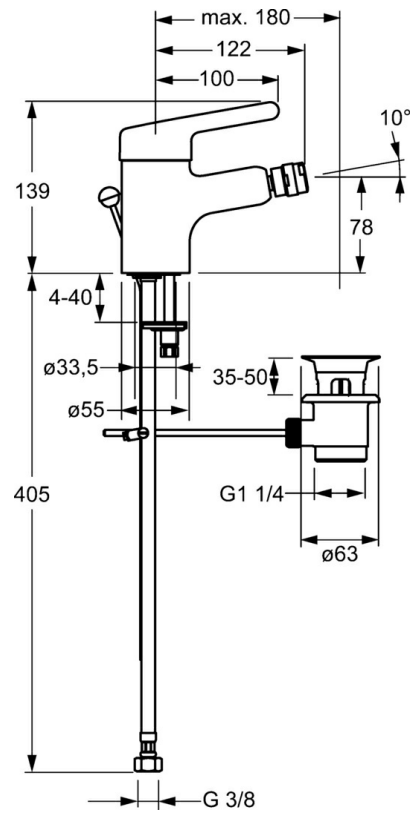
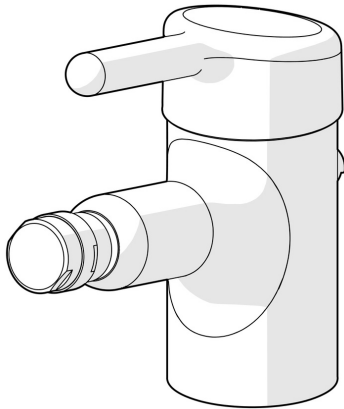


EAN: 4015474266605
static.hansa.com/01653203



- Bidet
- Health & Care
- Single-lever
- Deck mounted
- Chrome
- Fixed spout
- PCA® - constant flow rate regardless of pressure variations, Ball joint
- Hot/Cold symbols, Single operating lever/handle
- Pop-up waste with draw-rod
- Flexible inlet pipes
- Inner body made of DZR brass, Surfaces in contact with drinking water contain less than 0.3% lead, Waterways without nickel coating



Technical data

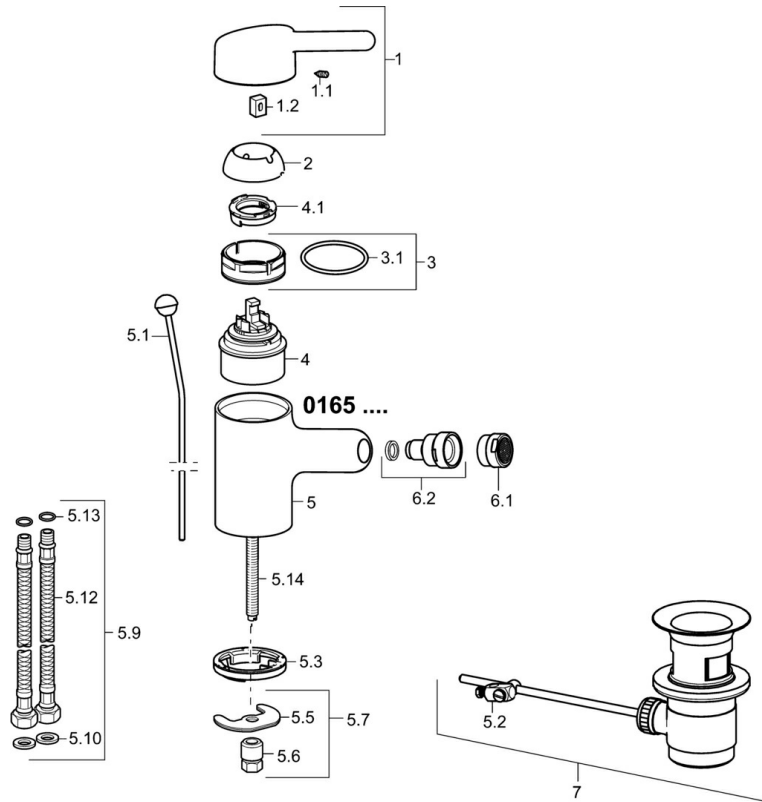
Technical properties

DN-size (nominal dimension)	DN15
Hot water supply	max. +70°C
Working pressure	0.5-10 bar
Connection size	G3/8
Length / Height	122 mm
Material	Brass

Regulations

EN standard	EN 817
-------------	---------------

Spare parts



SP01653203

	Name	Code
1	Lever, L=93 mm	59914072
1.1	Screw, M5x8, SW2.5	59904755
1.2	Bushing	59904778
2	Covering cap	59914069
3	Tightening nut, M50x1, SW45	59914070
3.1	O-ring, d 46x2	59912470
4	Cartridge, 4.8 Classic	59911437
4.1	Hot water limiter	59904759
5.1	Pop-up operating rod	59912505
5.2	Swivel joint	59904624
5.3	Bottom seal	59914591
5.5	Fixing plate	59904765
5.6	Screw, M8x1, SW13	59904766
5.7	Fixing set	59910749
5.9	Hose	59912709
5.10	Gasket, 9.5x14.4x2	59912551
5.12	Flexible pipe, L=430, G3/8-M10x1	59912515
5.13	O-ring, d 7.65x1.78	59902337
5.14	Fixing screw, M8x1, L=140	59912474
6.1	Aerator, M24x1, 6 l/min	59913727
6.2	Ball joint for bidet faucet	59910952
7	Pop-up waste	59904620