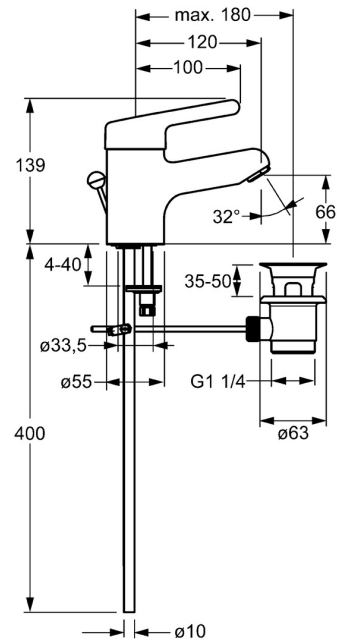
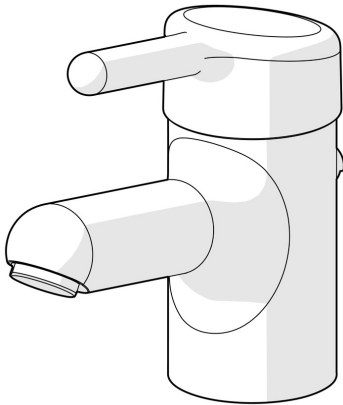


EAN: 4015474266452
static.hansa.com/01632103



- Health & Care
 - Single-lever
 - Deck mounted
 - Chrome
 - Fixed spout
 - Laminar stream
- Hot/Cold symbols, Single operating lever/handle
 - Pop-up waste with draw-rod
 - Limitation option for maximum temperature and flow-rate, Adjustable hot water stop (included, retrofittable)
 - \varnothing 48 mm ceramic cartridge for flow and temperature control
 - Copper inlet pipes
 - Waterways without nickel coating, Surfaces in contact with drinking water contain less than 0.3% lead, Inner body made of DZR brass, Rapid installation system



Technical data

Flow properties

Flow-rate at 3 bar **12.0 l/min**

Technical properties

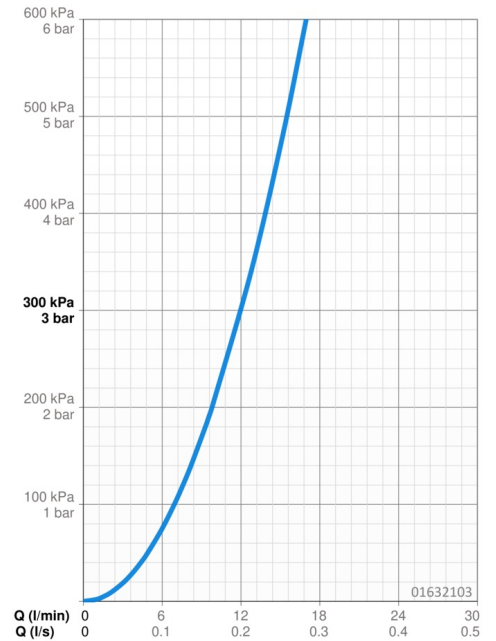
DN-size (nominal dimension) **DN15**
 Hot water supply **max. +80°C**
 Working pressure **0.5-10 bar**
 Connection size **Ø 10 mm**
 Projection **120 mm**
 Backflow prevention (EN1717) **AA**
 Material **Brass**

Regulations

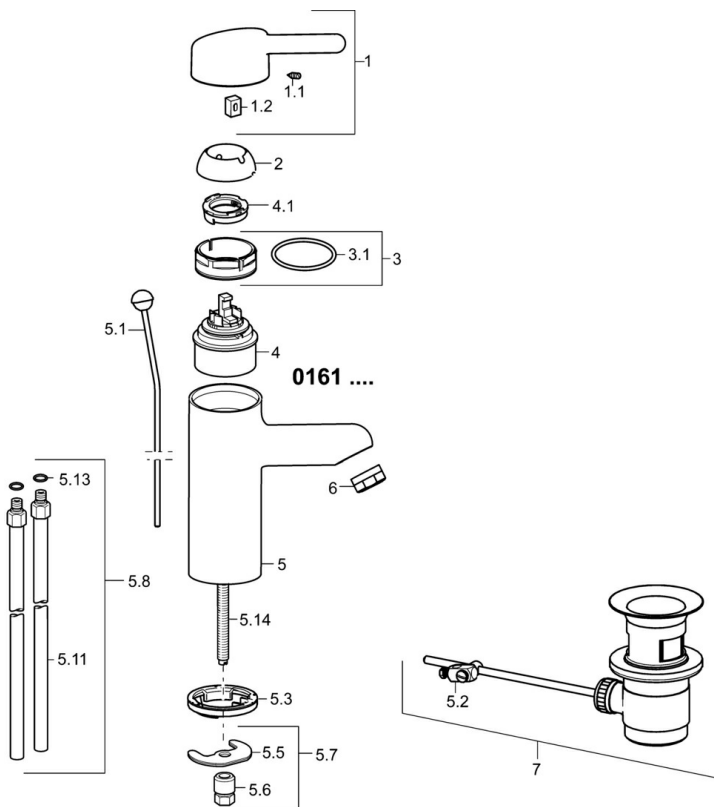
EN standard **EN 817**
 Noise class **I (ISO 3822)**

Approvals and Declarations

DVGW **NW-6506CR0028**
 ABP **P-IX 29891/IA**
 Declaration of conformity **DoC**



Spare parts



SP01612103

	Name	Code
1	Long lever, L=149	02440005
1	Long lever, L=143	02450006
1	Lever, L=93 mm	59914072
1.1	Screw, M5x8, SW2.5	59904755
1.2	Bushing	59904778
2	Covering cap	59914069
3	Tightening nut, M50x1, SW45	59914070
3.1	O-ring, d 46x2	59912470
4	Cartridge, 4.8 Classic	59911437
4.1	Hot water limiter	59904759
5.1	Pop-up operating rod	59912505
5.2	Swivel joint	59904624
5.3	Bottom seal	59914591
5.5	Fixing plate	59904765
5.6	Screw, M8x1, SW13	59904766
5.7	Fixing set	59910749
5.8	Installation coupling pair	59911791
5.11	Coupling pipe, L=430, M10x1	59912550
5.13	O-ring, d 7.65x1.78	59902337
5.14	Fixing screw, M8x1, L=140	59912474
6	Aerator, M24x1 STD PL HC A Laminar (2013-)	59914054
7	Pop-up waste	59904620