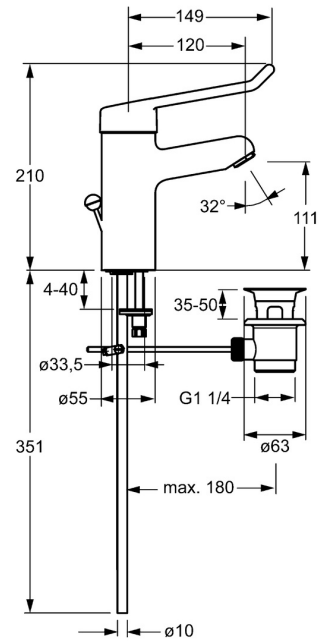
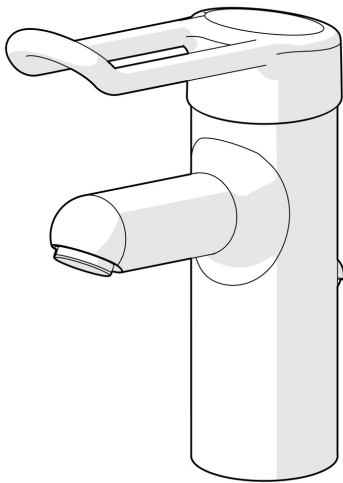


EAN: 4015474266797  
[static.hansa.com/01612105](http://static.hansa.com/01612105)



- Health & Care
- Single-lever
- Deck mounted
- Chrome
- Fixed spout
- Laminar stream
- Long shape, Loop shape, Hot/Cold symbols, Single operating lever/handle
- Pop-up waste with draw-rod
- Limitation option for maximum temperature and flow-rate, Adjustable hot water stop (included, retrofittable)
- $\varnothing$  48 mm ceramic cartridge for flow and temperature control
- Copper inlet pipes
- Surfaces in contact with drinking water contain less than 0.3% lead, Inner body made of DZR brass, Waterways without nickel coating, Rapid installation system



## Technical data

### Flow properties

Flow-rate at 3 bar **12.0 l/min**

### Technical properties

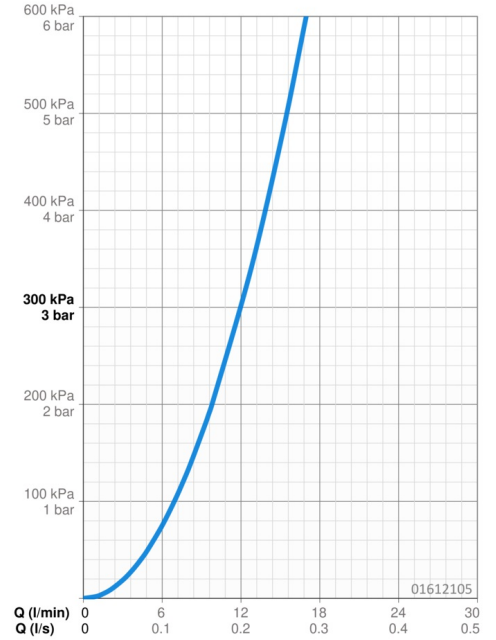
DN-size (nominal dimension) **DN15**  
 Hot water supply **max. +80°C**  
 Working pressure **0.5-10 bar**  
 Connection size **Ø 10 mm**  
 Projection **120 mm**  
 Backflow prevention (EN1717) **AA**  
 Material **Brass**

### Regulations

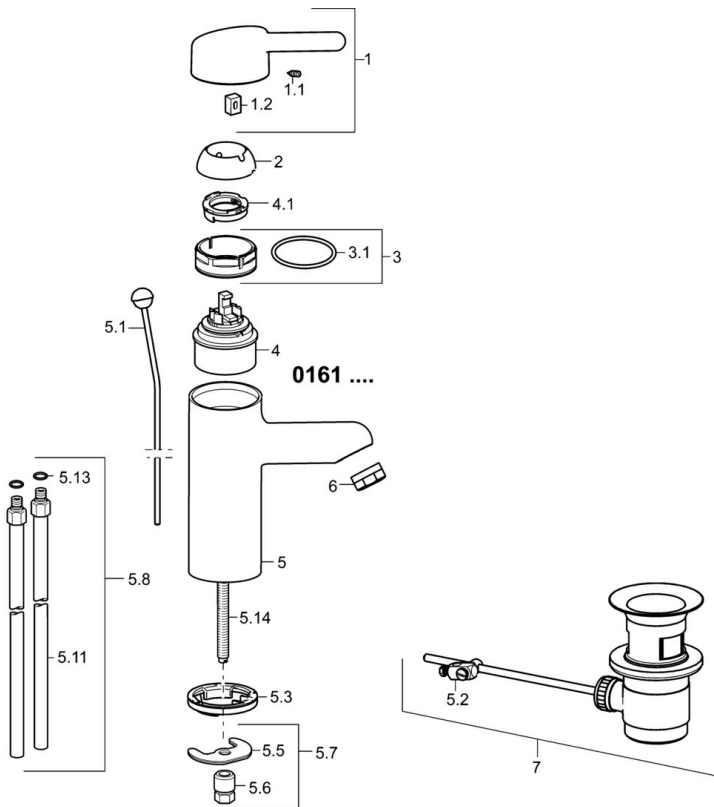
EN standard **EN 817**  
 Noise class **I (ISO 3822)**

### Approvals and Declarations

DVGW **NW-6506CR0028**  
 ABP **P-IX 29891/IA**  
 Declaration of conformity **DoC**



## Spare parts



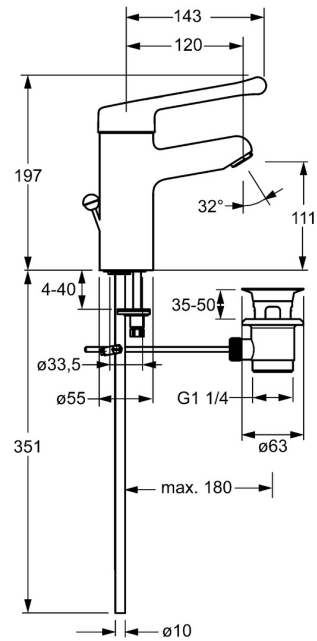
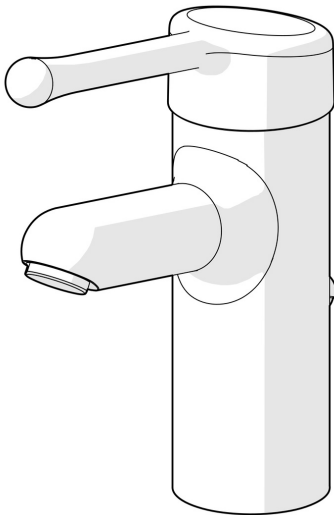
### SP01612103

	Name	Code
1	Long lever, L=149	02440005
1	Long lever, L=143	02450006
1	Lever, L=93 mm	59914072
1.1	Screw, M5x8, SW2.5	59904755
1.2	Bushing	59904778
2	Covering cap	59914069
3	Tightening nut, M50x1, SW45	59914070
3.1	O-ring, d 46x2	59912470
4	Cartridge, 4.8 Classic	59911437
4.1	Hot water limiter	59904759
5.1	Pop-up operating rod	59912505
5.2	Swivel joint	59904624
5.3	Bottom seal	59914591
5.5	Fixing plate	59904765
5.6	Screw, M8x1, SW13	59904766
5.7	Fixing set	59910749
5.8	Installation coupling pair	59911791
5.11	Coupling pipe, L=430, M10x1	59912550
5.13	O-ring, d 7.65x1.78	59902337
5.14	Fixing screw, M8x1, L=140	59912474
6	Aerator, M24x1 STD PL HC A Laminar (2013-)	59914054
7	Pop-up waste	59904620

EAN: 4015474266841  
[static.hansa.com/01612106](http://static.hansa.com/01612106)



- Health & Care
- Single-lever
- Deck mounted
- Chrome
- Fixed spout
- Laminar stream
- Long shape, Hot/Cold symbols, Single operating lever/handle
- Pop-up waste with draw-rod
- Limitation option for maximum temperature and flow-rate, Adjustable hot water stop (included, retrofittable)
- $\varnothing$  48 mm ceramic cartridge for flow and temperature control
- Copper inlet pipes
- Waterways without nickel coating, Surfaces in contact with drinking water contain less than 0.3% lead, Inner body made of DZR brass, Rapid installation system



## Technical data

### Flow properties

Flow-rate at 3 bar **12.0 l/min**

### Technical properties

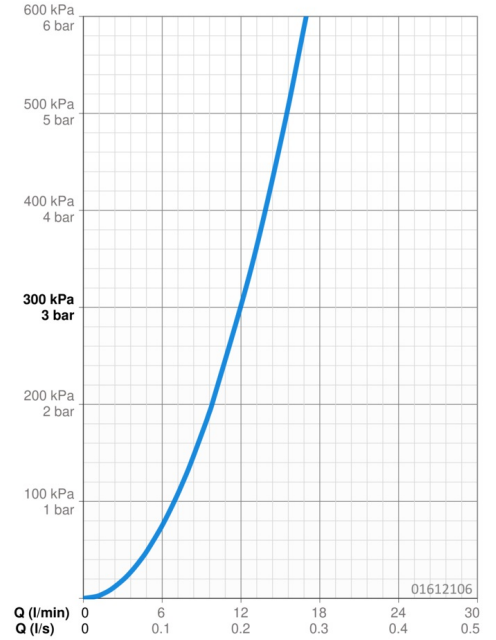
DN-size (nominal dimension) **DN15**  
 Hot water supply **max. +80°C**  
 Working pressure **0.5-10 bar**  
 Connection size **Ø 10 mm**  
 Projection **120 mm**  
 Backflow prevention (EN1717) **AA**  
 Material **Brass**

### Regulations

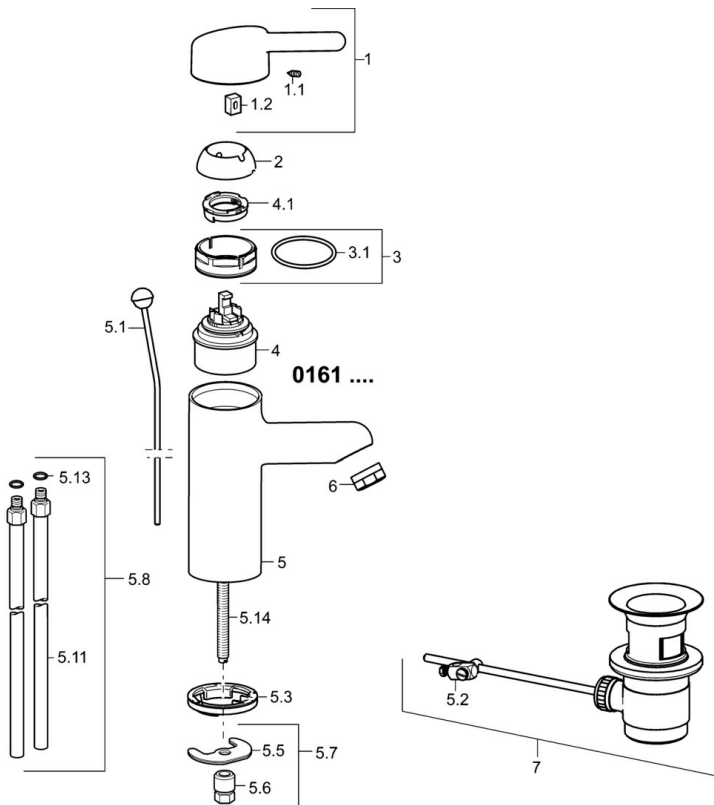
EN standard **EN 817**  
 Noise class **I (ISO 3822)**

### Approvals and Declarations

DVGW **NW-6506CR0028**  
 ABP **P-IX 29891/IA**  
 Declaration of conformity **DoC**



## Spare parts



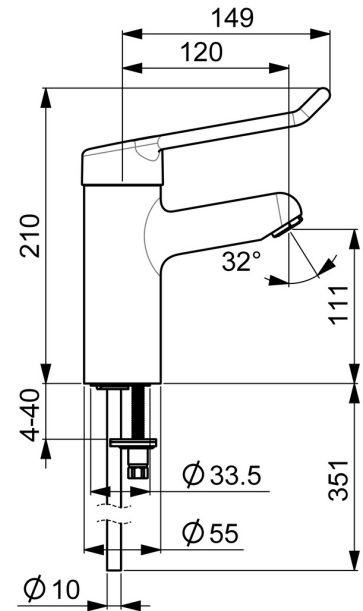
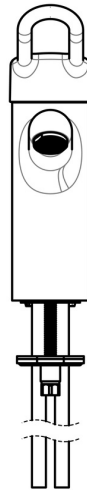
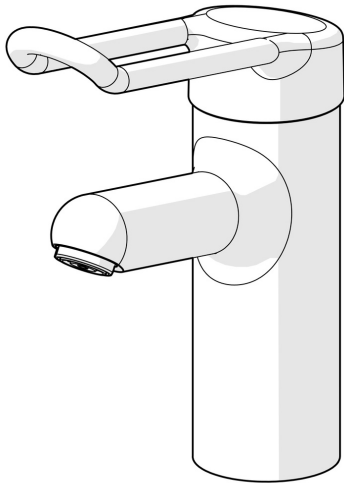
### SP01612103

	Name	Code
1	Long lever, L=149	02440005
1	Long lever, L=143	02450006
1	Lever, L=93 mm	59914072
1.1	Screw, M5x8, SW2.5	59904755
1.2	Bushing	59904778
2	Covering cap	59914069
3	Tightening nut, M50x1, SW45	59914070
3.1	O-ring, d 46x2	59912470
4	Cartridge, 4.8 Classic	59911437
4.1	Hot water limiter	59904759
5.1	Pop-up operating rod	59912505
5.2	Swivel joint	59904624
5.3	Bottom seal	59914591
5.5	Fixing plate	59904765
5.6	Screw, M8x1, SW13	59904766
5.7	Fixing set	59910749
5.8	Installation coupling pair	59911791
5.11	Coupling pipe, L=430, M10x1	59912550
5.13	O-ring, d 7.65x1.78	59902337
5.14	Fixing screw, M8x1, L=140	59912474
6	Aerator, M24x1 STD PL HC A Laminar (2013-)	59914054
7	Pop-up waste	59904620

EAN: 4015474267015  
[static.hansa.com/01622195](http://static.hansa.com/01622195)



- Health & Care
- Single-lever
- Deck mounted
- Chrome
- Fixed spout
- Laminar stream
- Long shape, Loop shape, Hot/Cold symbols, Single operating lever/handle
- Limitation option for maximum temperature and flow-rate, Adjustable hot water stop (included, retrofittable)
- $\varnothing$  48 mm ceramic cartridge for flow and temperature control
- Copper inlet pipes
- Waterways without nickel coating, Surfaces in contact with drinking water contain less than 0.3% lead, Inner body made of DZR brass, Rapid installation system
- Without pop-up waste, Without draw-rod opening



## Technical data

### Flow properties

Flow-rate at 3 bar **12.0 l/min**

### Technical properties

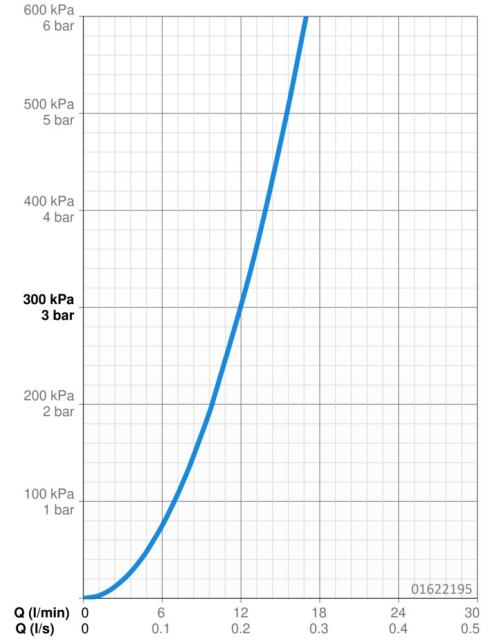
DN-size (nominal dimension) **DN15**  
 Hot water supply **max. +80°C**  
 Working pressure **0.5-10 bar**  
 Connection size **Ø 10 mm**  
 Projection **120 mm**  
 Backflow prevention (EN1717) **AA**  
 Material **Brass**

### Regulations

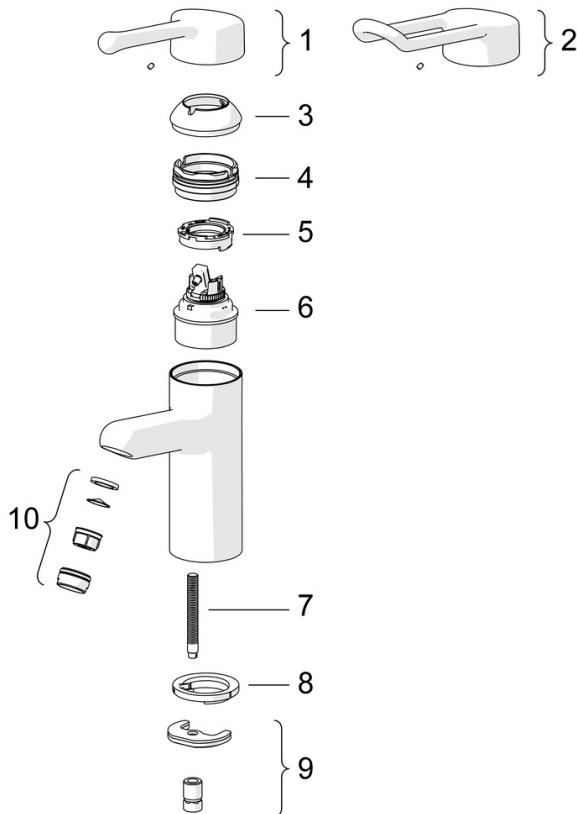
EN standard **EN 817**  
 Noise class **I (ISO 3822)**

### Approvals and Declarations

DVGW **NW-6506CR0028**  
 ABP **P-IX 29891/IA**  
 Declaration of conformity **DoC**



## Spare parts



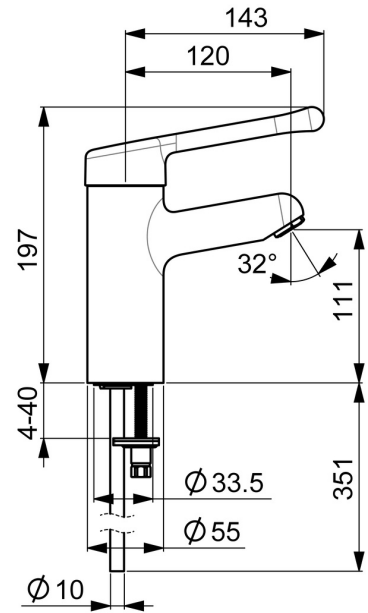
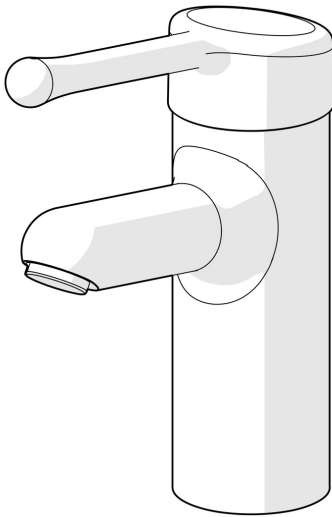
### SP01662195

	Name	Code
01	Long lever, L=143	02450006
02	Long lever, L=149	02440005
03	Covering cap	59914069
04	Tightening nut, M50x1, SW45	59914070
05	Hot water limiter	59904759
06	Cartridge, 4.8 Classic	59911437
07	Fixing screw, M8x1, L=140	59912474
08	Bottom seal	59914591
09	Fixing set	59910749
10	Aerator, M24x1 STD PL HC A Laminar (2013-)	59914054
N.I.	Quick-release coupling, G1/2	04050200
N.I.	Connector, G1/2xM14x1 Discontinued	59914180
N.I.	Wall bracket White	59914457
N.I.	Bidetta hand shower White	59914458
N.I.	Shower hose, L=1500 White	59914460

EAN: 4015474267039  
[static.hansa.com/01622196](http://static.hansa.com/01622196)



- Health & Care
- Single-lever
- Deck mounted
- Chrome
- Fixed spout
- Laminar stream
- Long shape, Hot/Cold symbols, Single operating lever/handle
- Limitation option for maximum temperature and flow-rate, Adjustable hot water stop (included, retrofittable)
- $\varnothing$  48 mm ceramic cartridge for flow and temperature control
- Copper inlet pipes
- Waterways without nickel coating, Surfaces in contact with drinking water contain less than 0.3% lead, Inner body made of DZR brass, Rapid installation system
- Without pop-up waste, Without draw-rod opening



## Technical data

### Flow properties

Flow-rate at 3 bar **12.0 l/min**

### Technical properties

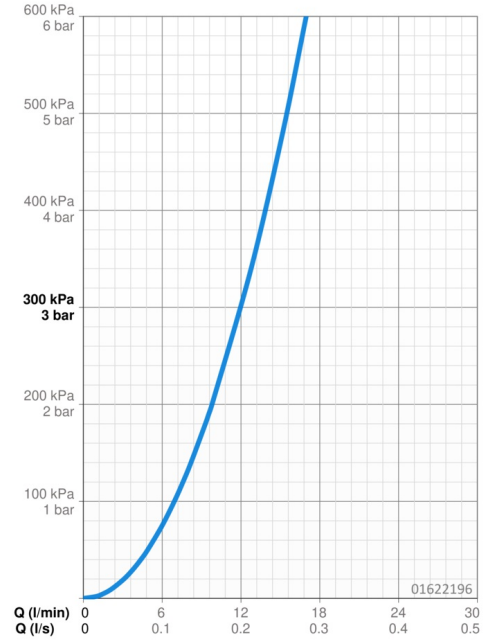
DN-size (nominal dimension) **DN15**  
 Hot water supply **max. +80°C**  
 Working pressure **0.5-10 bar**  
 Connection size **Ø 10 mm**  
 Projection **120 mm**  
 Backflow prevention (EN1717) **AA**  
 Material **Brass**

### Regulations

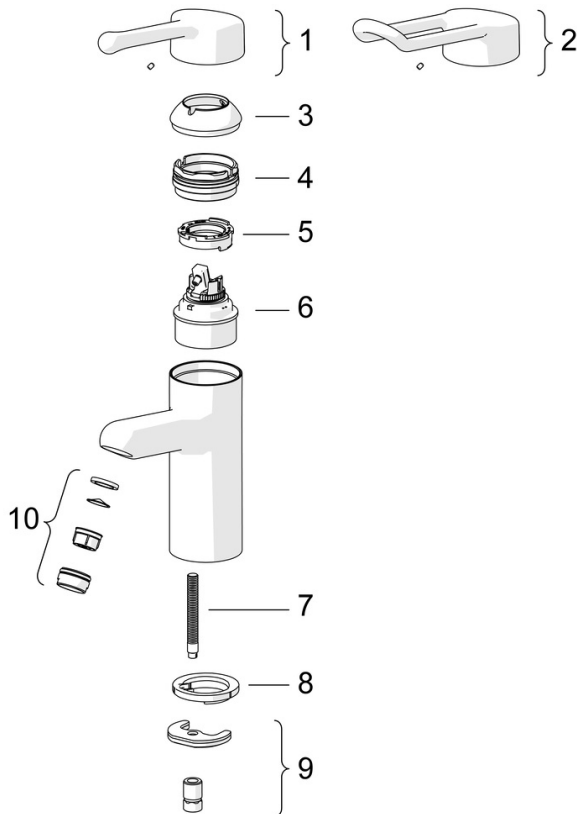
EN standard **EN 817**  
 Noise class **I (ISO 3822)**

### Approvals and Declarations

DVGW **NW-6506CR0028**  
 ABP **P-IX 29891/IA**  
 Declaration of conformity **DoC**  
 EPD **S-P-06391**



## Spare parts



### SP01662195

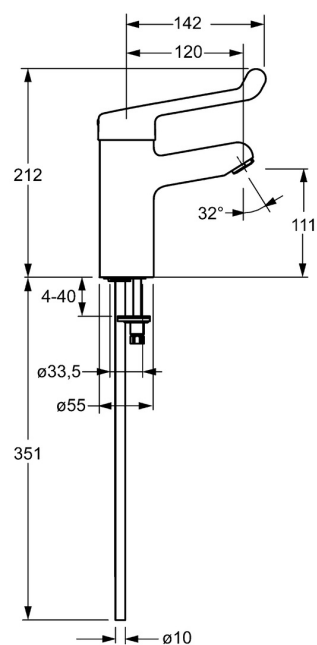
	Name	Code
01	Long lever, L=143	02450006
02	Long lever, L=149	02440005
03	Covering cap	59914069
04	Tightening nut, M50x1, SW45	59914070
05	Hot water limiter	59904759
06	Cartridge, 4.8 Classic	59911437
07	Fixing screw, M8x1, L=140	59912474
08	Bottom seal	59914591
09	Fixing set	59910749
10	Aerator, M24x1 STD PL HC A Laminar (2013-)	59914054
N.I.	Quick-release coupling, G1/2	04050200
N.I.	Connector, G1/2xM14x1 Discontinued	59914180
N.I.	Wall bracket White	59914457
N.I.	Bidetta hand shower White	59914458
N.I.	Shower hose, L=1500 White	59914460



EAN: 4015474267053  
[static.hansa.com/01712192](http://static.hansa.com/01712192)



- Health & Care
- Single-lever
- Deck mounted
- Chrome
- Fixed spout
- Laminar stream
- Long shape, Safety feature for water temperature, Hot/Cold symbols, Single operating lever/handle
- $\varnothing$  35 mm ceramic cartridge for flow and temperature control
- Copper inlet pipes
- Surfaces in contact with drinking water contain less than 0.3% lead, Inner body made of DZR brass, Waterways without nickel coating, Rapid installation system
- Without pop-up waste, Without draw-rod opening
- Safety control cartridge with operation on one level



## Technical data

### Flow properties

Flow-rate at 3 bar (with flow controller) **6.0 l/min**

### Technical properties

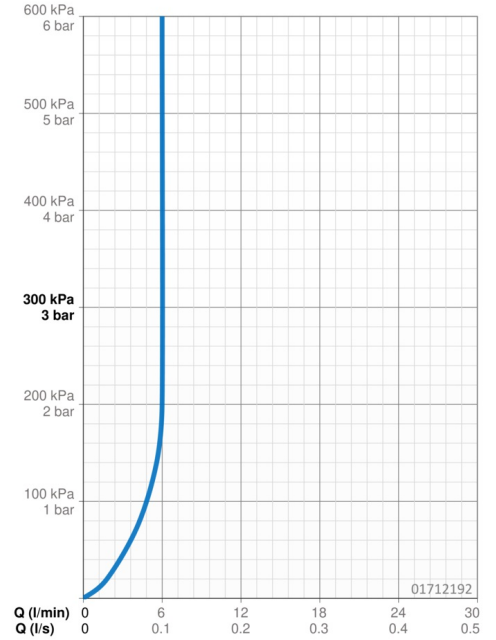
DN-size (nominal dimension) **DN15**  
 Hot water supply **max. +80°C**  
 Working pressure **0.5-10 bar**  
 Connection size **Ø 10 mm**  
 Projection **120 mm**  
 Backflow prevention (EN1717) **AA**  
 Material **Brass**

### Regulations

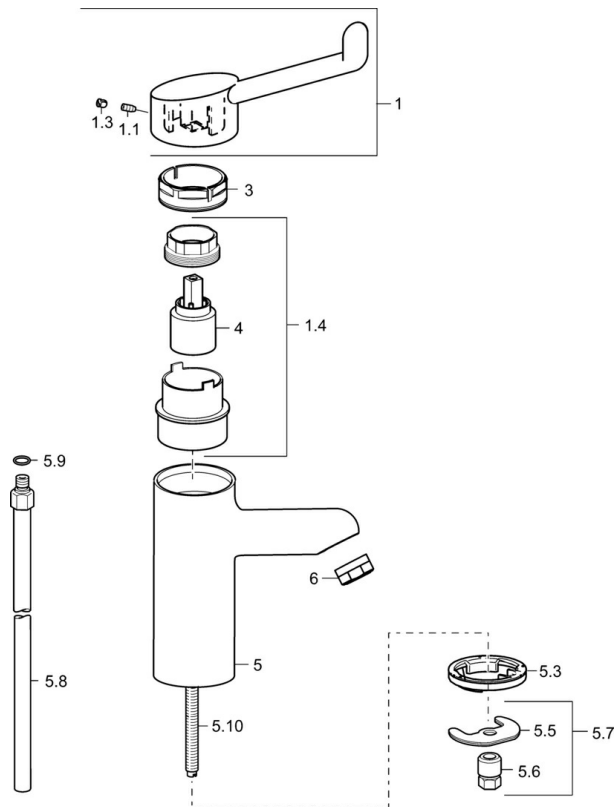
EN standard **EN 817**  
 Noise class **I (ISO 3822)**

### Approvals and Declarations

DVGW **NW-6506CR0028**  
 ABP **PA-IX 29892/IO**  
 Declaration of conformity **DoC**



## Spare parts



### SP01712192

	Name	Code
1	Long lever, L=142 Discontinued	02460002
1.1	Screw, M5x8, SW2.5	59904755
1.3	Cover plug	59913762
1.4	Diverter housing Discontinued	02710000
3	Tightening nut, M50x1, SW45	59914070
4	Cartridge	59913949
5.3	Bottom seal	59914591
5.5	Fixing plate	59904765
5.6	Screw, M8x1, SW13	59904766
5.7	Fixing set	59910749
5.8	Coupling pipe, L=430, M10x1	59912550
5.9	O-ring, d 7.65x1.78	59902337
5.10	Fixing screw, M8x1, L=140	59912474
6	Aerator, M24x1 STD HC, 6 l/min Laminar	59914068