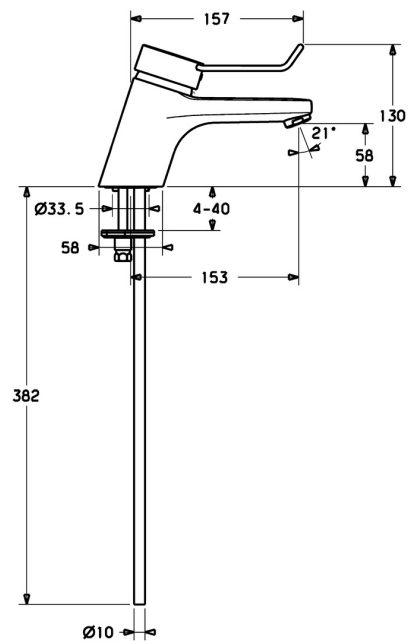


EAN: 4015474135734
static.hansa.com/01602176



- Health & Care
 - Single-lever
 - Deck mounted
 - Chrome
 - Fixed spout
 - Laminar stream
- Loop shape, Hot/ Cold symbols, Long shape, Single operating lever/handle
 - Limitation option for maximum temperature and flow-rate, Adjustable hot water stop (included, retrofittable)
 - \varnothing 48 mm ceramic eco cartridge for flow and temperature control
 - Copper inlet pipes
 - Inner body made of DZR brass, Waterways without nickel coating
 - Without pop-up waste, Without draw-rod opening



Technical data

Flow properties

Eco-flow at 3 bar	6.0 l/min
Flow-rate at 3 bar	12.0 l/min

Technical properties

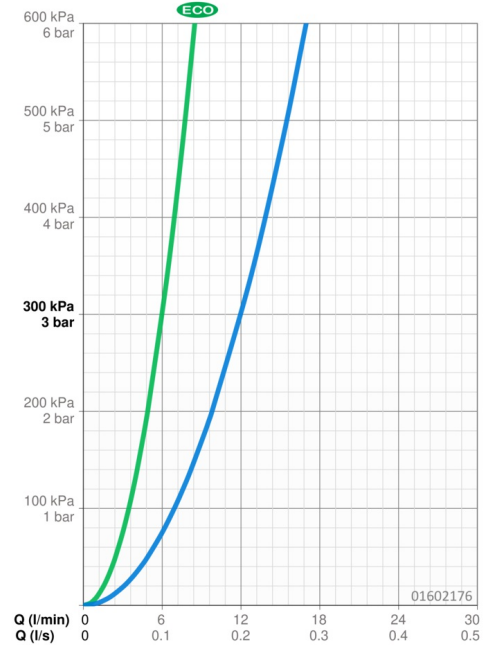
DN-size (nominal dimension)	DN15
Hot water supply	max. +80°C
Working pressure	0.5-10 bar
Connection size	Ø10
Projection	153 mm
Material	Brass

Regulations

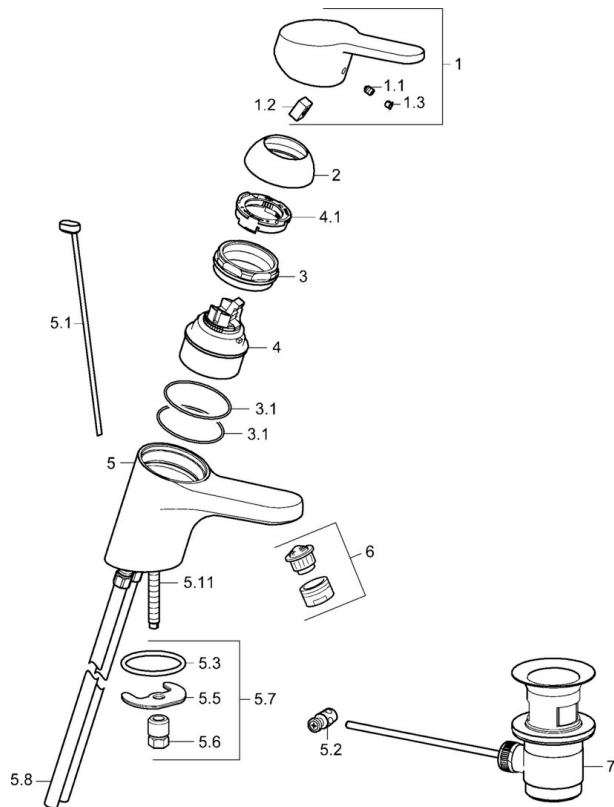
EN standard	EN 817
Noise class	I (ISO 3822)

Approvals and Declarations

ABP	P-IX 28417/IA
-----	----------------------



Spare parts



SP01502173

	Name	Code
1	Lever, L=110 Discontinued	01580076
1	Lever, L=86 mm	01580073
1.1	Screw, M5x8, SW2.5	59904755
1.2	Bushing	59904778
1.3	Symbol plug Grey	59912112
2	Covering cap	59913068
2	Covering cap	59906563
3	Screw, M50x1, SW45	59913069
3.1	O-ring, d 48x2	59913072
4	Cartridge, 4.8 eco	59904601
4.1	Hot water limiter	59904759
5.1	Pop-up operating rod	59913067
5.2	Swivel joint	59904624
5.3	O-ring, 42x3.5	59904764
5.5	Fixing plate	59904765
5.6	Screw, M8x1, SW13	59904766
5.7	Fixing set	59910749
5.8	Pipe	59913070
5.11	Fixing screw, M8x1, L=140	59912474
6	Aerator, M24x1, 7 l/min (-2013) Discontinued	59912004
6	Aerator, M24x1 STD PL HC A Laminar (2013-)	59914054
7	Pop-up waste	59904620
N.I.	Key, SW45/SW50	59905190