

EAN: 4057304020506  
[static.hansa.com/01556269](https://static.hansa.com/01556269)



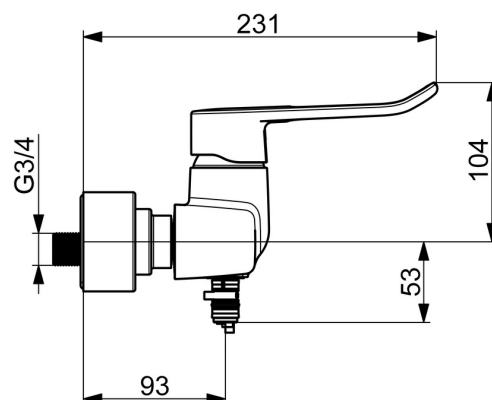
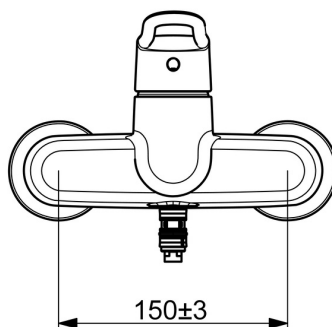
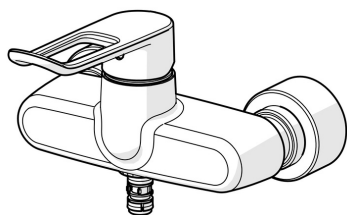
This faucet is designed for Health care usage.

With its Low lead water ways and a well designed body that is easy to clean while the long lever makes it easy and intuitive to operate.

With our latest technology it is possible to connect this faucet to the Digital water management service. The online service helps monitoring of the usage to prevent stagnation and to follow-up the temperatures in the piping. Measuring technology inside the faucet body is self-powered by water, no batteries needed.

Clever design with a world of information inside.

- Washbasin
- Public & Semi-public, Health & Care
- Single-lever, Self-powered, Bluetooth®, Lead free
- Wall mounted
- Chrome
- Laminar stream
- Loop shape
- $\varnothing$  40 mm ceramic cartridge for flow and temperature control
- Eccentric coupling(s)
- Inner body made of composite



## Technical data

### Flow properties

Flow-rate at 3 bar (with flow reducers) **4.7 l/min**

### Technical properties

Hot water supply **max. +65°C**  
 Working pressure **1-10 bar**  
 Connection size **G3/4**  
 Installation width **150 ± 3 mm**  
 Material **Brass/Plastic**

### Electronic properties

Bluetooth version **5.x (D060576)**

### Regulations

EU Directives **C € Radio Equipment Directive 2014/53/EU , Low Voltage Directive 2014/35/EU , EMC Directive 2014/30/EU , RoHS Directive 2011/65/EU**

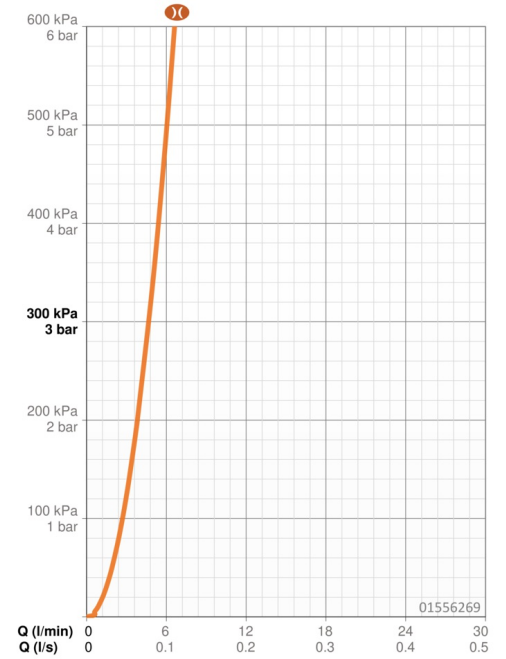
EN standard **EN 817, ETSI EN 301 489-1 V1.9.2, ETSI EN 300 328 v2.2.2 , EN 61000-6-1:2007 , EN 61000-6-3:2007+A1:2011+AC:2012 , EN 60335-1:2012+A11+A13+A14+A15:2021, Part 19.11.4**

Noise class **I (ISO 3822)**

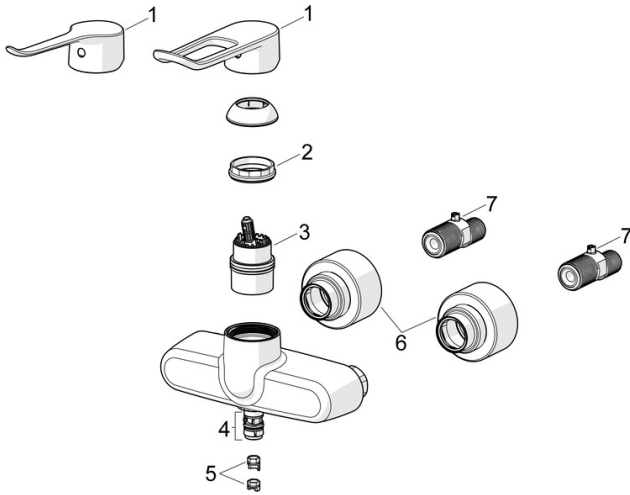
Protection class **IP 55**

### Approvals and Declarations

Declaration of conformity **RED**  
 EPD **S-P-06391**



## Spare parts



### SP01556269

	Name	Code
01	Long lever, L=140	45240003
01	Long lever, L=162	59914716
02	Tightening nut, M42x1.5, SW 38	59914128
03	Cartridge	59914665
04	Sealing kit for spout	59914720
05	Spout overturning stopper, 60° / 0°	59914264
05	Limiter, 120°	59914728
06	Cover flange pair	290014
07	Eccentric	59914082
N.I.	Filter sealing, G3/4	59911076