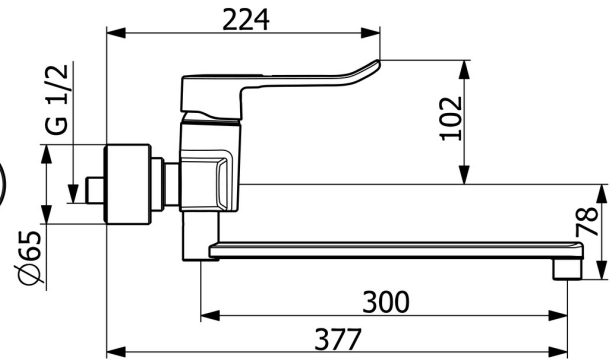
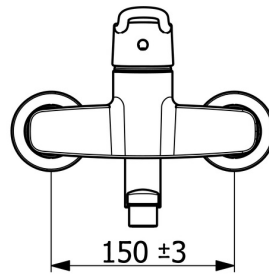
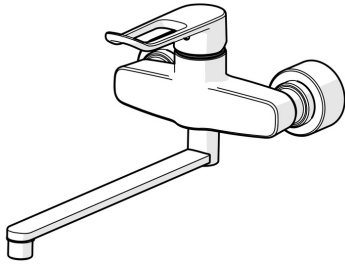


EAN: 4057304012617
static.hansa.com/01546286



- Health & Care
- Single-lever
- Wall mounted
- Chrome
- Swivel spout, Swivel range limiting option, Profile construction
- Laminar stream
- Long shape, Loop shape, Hot/Cold symbols, Single operating lever/handle
- Limitation option for maximum temperature and flow-rate, Adjustable hot water stop (included, retrofittable)
- Litter filter(s), ϕ 40 mm ceramic cartridge for flow and temperature control
- Eccentric coupling(s), Cover plate(s), with integrated shut-off valve(s), Silencer(s), Cover plate triple sealed
- Inner body made of DZR brass, Waterways without nickel coating
- grease without Silicon



Technical data

Flow properties

Flow-rate at 3 bar (with flow reducers) **10.2 l/min**

Technical properties

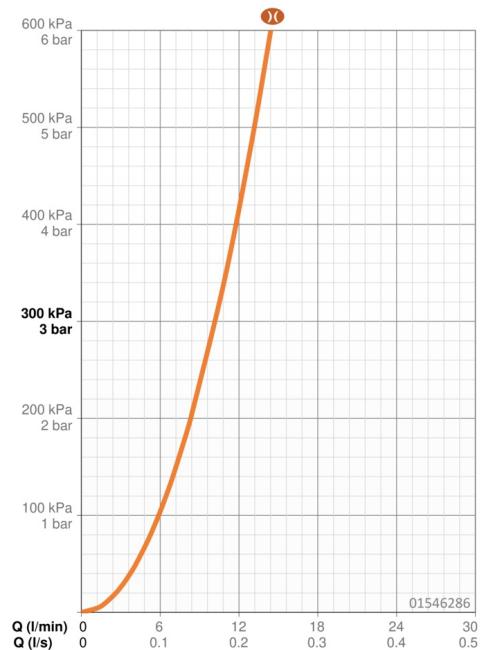
DN-size (nominal dimension) **DN15**
 Hot water supply **max. +80°C**
 Working pressure **0.5-10 bar**
 Connection size **G1/2**
 Installation width **150 ± 15 mm**
 Projection **377 mm**
 Backflow prevention (EN1717) **AA**
 Material **Brass**

Regulations

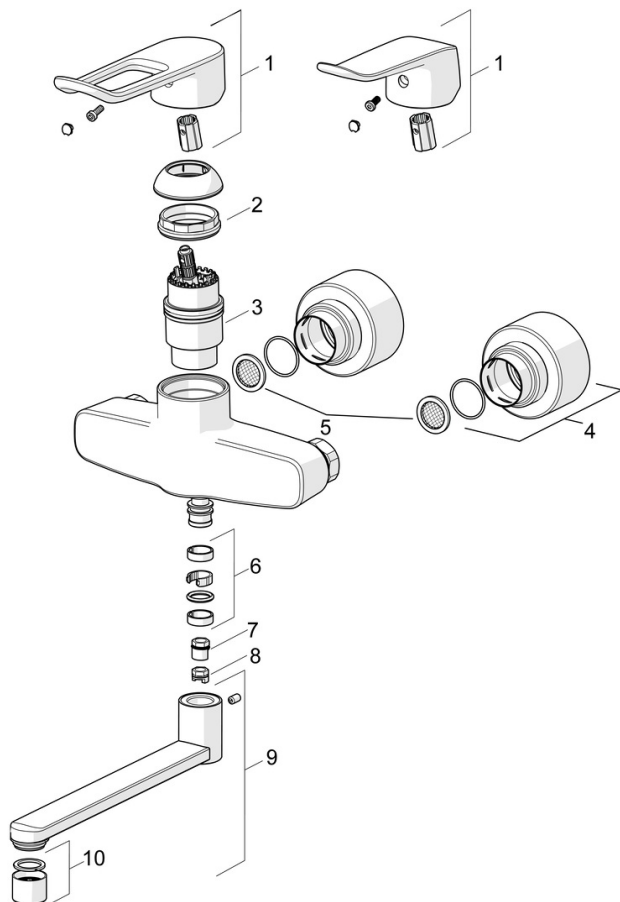
EN standard **EN 817**
 Noise class **I (ISO 3822)**

Approvals and Declarations

KIWA **K6116/08**
 DVGW **DW-6506DL0556**
 ABP **PA-IX 29901/IA**
 Declaration of conformity **DoC**
 EPD **S-P-06391**



Spare parts



SP01536286

| Name | Code |
|---------------------------------------|----------|
| 01 Long lever, L=162 | 59914716 |
| 01 Lever, L=136 | 59914719 |
| 02 Tightening nut, M42x1.5, SW 38 | 59914128 |
| 03 Cartridge, 4.0 Classic | 59914129 |
| 04 Cover flange | 59914717 |
| 05 Filter sealing, G3/4 | 59911076 |
| 06 Sealing kit for spout | 59914720 |
| 07 Limiter, 120° | 59914728 |
| 08 Spout overturning stopper, 60°/0° | 59914264 |
| 09 Spout, L=100 | 59914658 |
| 09 Spout, L=200 | 59914659 |
| 09 Spout, L=300 | 59914660 |
| 10 Aerator, M22x1 STD PL HC A Laminar | 1003610V |