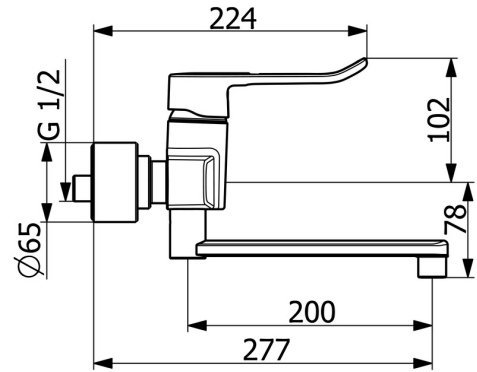
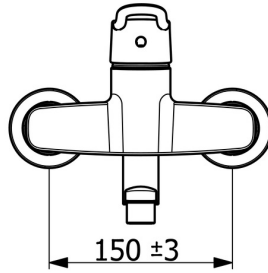
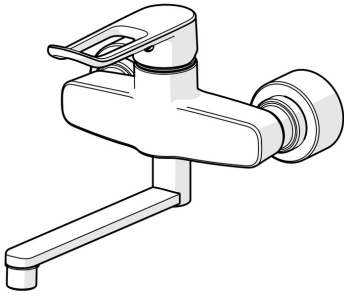


EAN: 4057304010606
static.hansa.com/01536286



- Health & Care
- Single-lever
- Wall mounted
- Chrome
- Swivel spout, Swivel range limiting option
- Laminar stream
- Long shape, Loop shape, Hot/Cold symbols, Single operating lever/handle
- Limitation option for maximum temperature and flow-rate, Adjustable hot water stop (included, retrofittable)
- Litter filter(s), ϕ 40 mm ceramic cartridge for flow and temperature control
- Eccentric coupling(s), Cover plate(s), with integrated shut-off valve(s), Silencer(s), Cover plate triple sealed
- Inner body made of DZR brass, Waterways without nickel coating
- grease without Silicon



Technical data

Flow properties

Flow-rate at 3 bar (with flow reducers) **10.2 l/min**

Technical properties

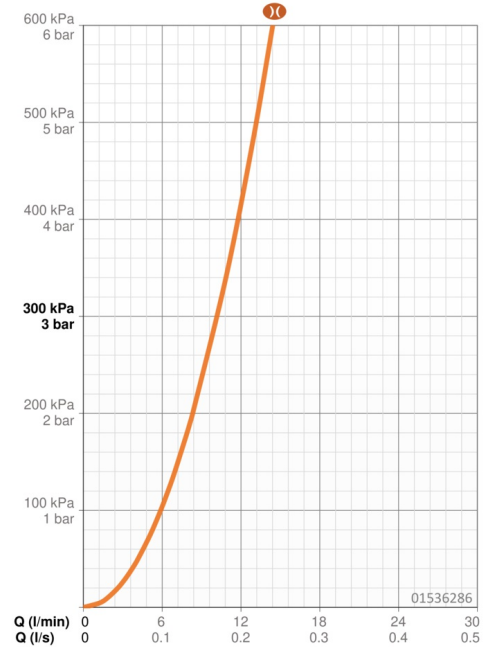
DN-size (nominal dimension) **DN15**
 Hot water supply **max. +80°C**
 Working pressure **0.5-10 bar**
 Connection size **G1/2**
 Installation width **150 ± 15 mm**
 Projection **277 mm**
 Backflow prevention (EN1717) **AA**
 Material **Brass**

Regulations

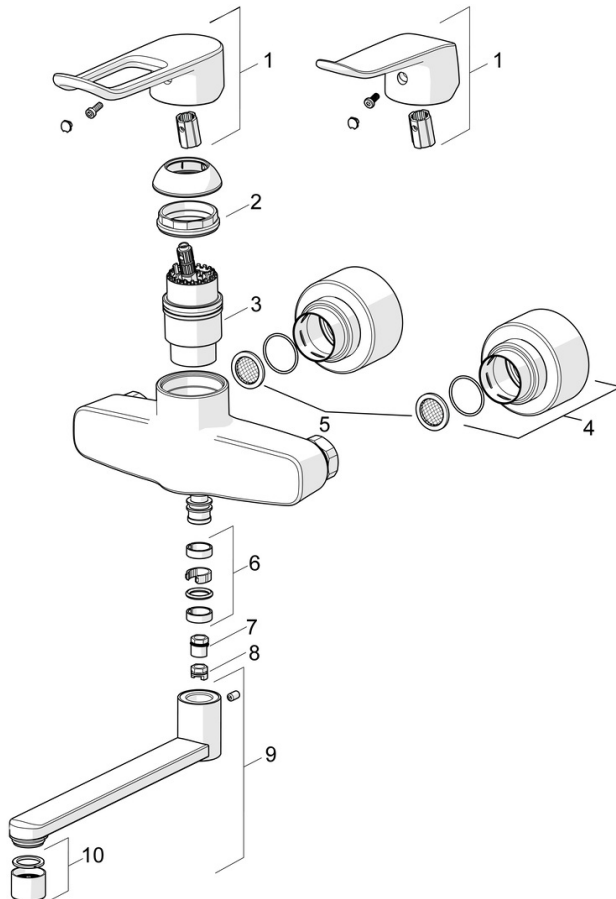
EN standard **EN 817**
 Noise class **I (ISO 3822)**

Approvals and Declarations

KIWA **K6116/08**
 DVGW **DW-6506DL0556**
 ABP **PA-IX 29901/IA**
 Declaration of conformity **DoC**
 EPD **S-P-06391**



Spare parts



SP01536286

Name	Code
01 Long lever, L=162	59914716
01 Lever, L=136	59914719
02 Tightening nut, M42x1.5, SW 38	59914128
03 Cartridge, 4.0 Classic	59914129
04 Cover flange	59914717
05 Filter sealing, G3/4	59911076
06 Sealing kit for spout	59914720
07 Limiter, 120°	59914728
08 Spout overturning stopper, 60°/0°	59914264
09 Spout, L=100	59914658
09 Spout, L=200	59914659
09 Spout, L=300	59914660
10 Aerator, M22x1 STD PL HC A Laminar	1003610V