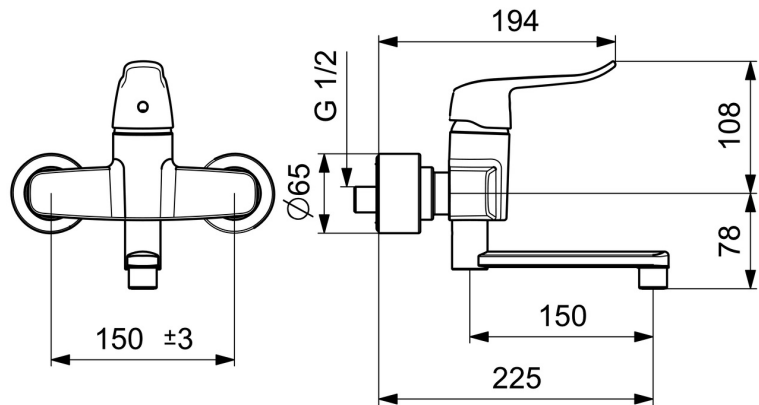
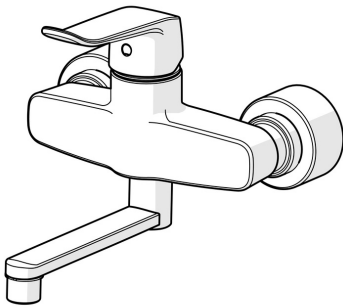


EAN: 4057304018909
static.hansa.com/01516283



HANSACLINICA wall-mounted washbasin faucet. Firm lever offers good usability to all users and situations. Swivel spout 120° (length=150 mm) with nickel-free waterways and laminar flow. The angle of swiveling can be limited to 60° or it can be locked. In-built limitation options for water temperature and maximum flow-rate. Includes three-time sealed cover plates.

- Washbasin
- Health & Care
- Single-lever
- Wall mounted
- Chrome
- Swivel spout, Swivel range limiting option
- Laminar stream
- Single operating lever/handle, Long shape, Hot/Cold symbols
- Limitation option for maximum temperature and flow-rate, Adjustable hot water stop (included, retrofittable)
- \varnothing 40 mm ceramic cartridge for flow and temperature control, Litter filter(s)
- Eccentric coupling(s), Cover plate(s), with integrated shut-off valve(s), Silencer(s), Cover plate triple sealed
- Inner body made of DZR brass, Waterways without nickel coating
- grease without Silicon



Technical data

Flow properties

Flow-rate at 3 bar	8.8 l/min
Pressure loss with flow (0.1 l/s)	0.9 bar

Technical properties

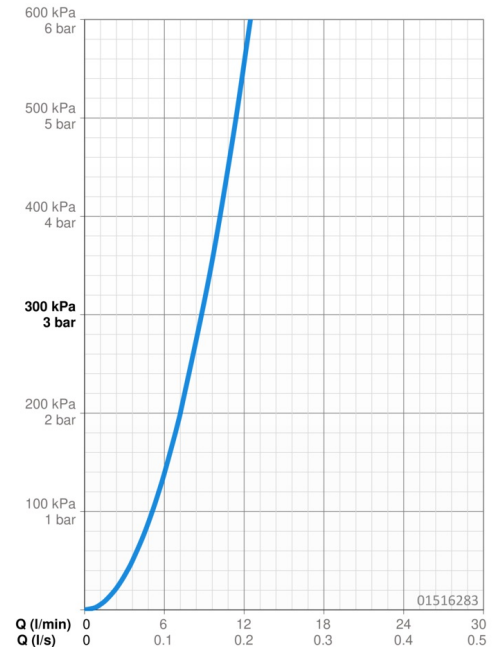
DN-size (nominal dimension)	DN15
Hot water supply	max. +80°C
Working pressure	0.5-10 bar
Connection size	G1/2
Installation width	150 ± 15 mm
Projection	227 mm
Backflow prevention (EN1717)	AA
Material	Brass

Regulations

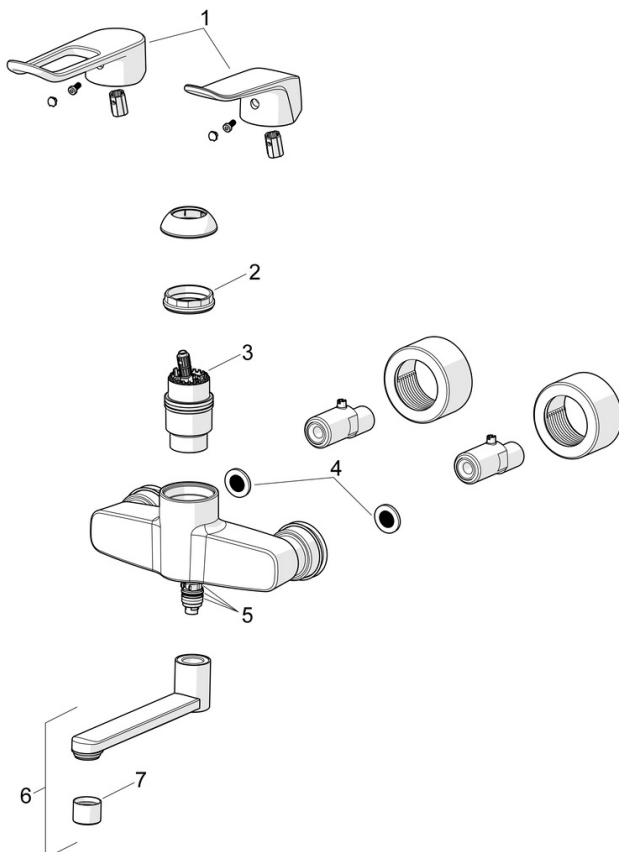
EN standard	EN 817
Noise class	II (ISO 3822)

Approvals and Declarations

DVGW	DW-6506DL0556
ABP	PA-IX 29901/IA
Declaration of conformity	DoC
EPD	S-P-06391



Spare parts



SP01516283

	Name	Code
01	Long lever, L=162	59914716
01	Lever, L=136	59914719
02	Tightening nut, M42x1.5, SW 38	59914128
03	Cartridge, 4.0 Classic	59914129
04	Filter sealing, G3/4	59911076
05	Sealing kit	59914263
06	Spout, L=150	290003
07	Aerator, M22x1 STD PL HC A Laminar	1003610V