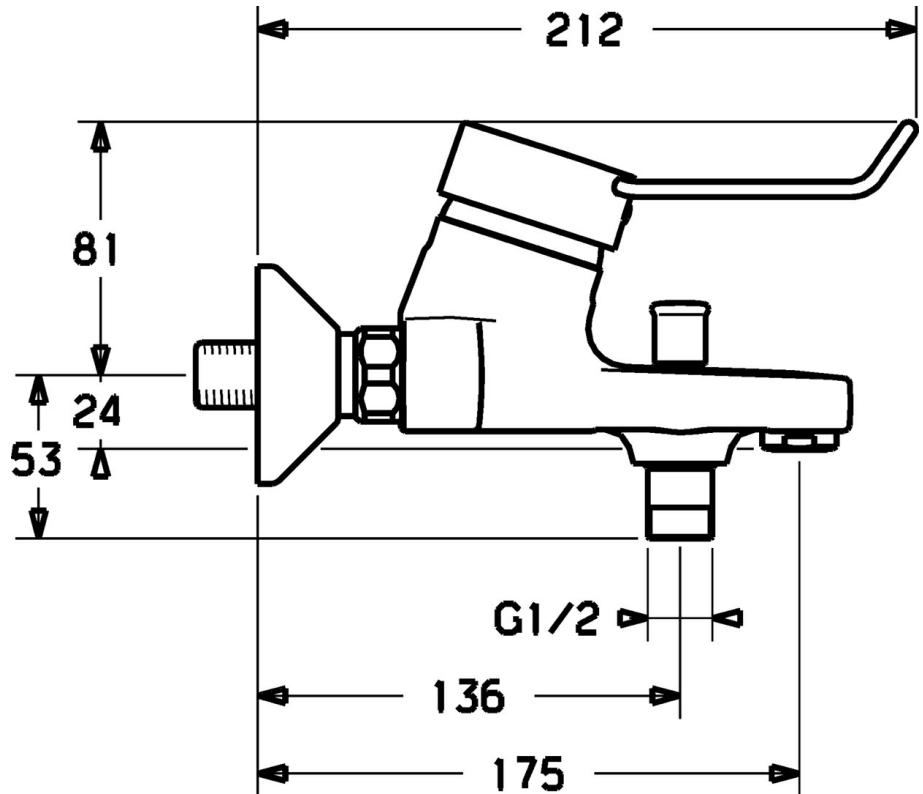


EAN: 4015474135741  
[static.hansa.com/01442176](http://static.hansa.com/01442176)



- Bath tub & Shower
- Health & Care
- Single-lever
- Wall mounted
- Chrome
- Fixed spout, Casted construction
- Single operating lever/handle, Hot/Cold symbols
- Non-return valve(s)
- Eccentric coupling(s), Silencer(s)
- protected against back-flow in domestic use (according to DIN EN 1717)



## Technical data

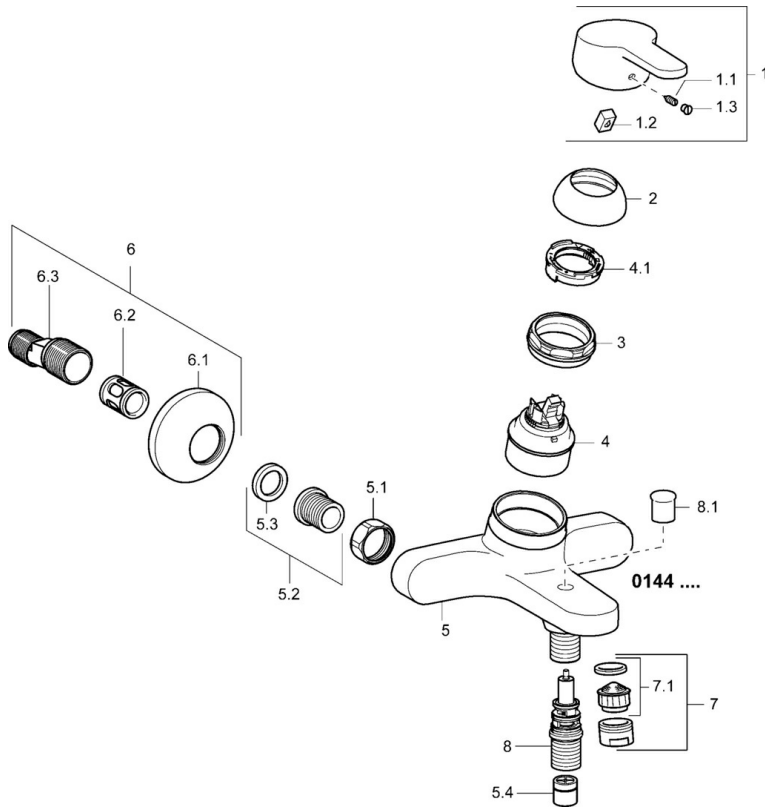
### Technical properties

Hot water supply	<b>max. +80°C</b>
Working pressure	<b>0.5-10 bar</b>
Backflow prevention (EN1717)	<b>EB</b>

### Regulations

EN standard	<b>EN 817</b>
-------------	---------------

## Spare parts



### SP01442173

	Name	Code
1	Lever, L=110 Discontinued	01580076
1	Lever, L=86 mm	01580073
1.1	Screw, M5x8, SW2.5	59904755
1.2	Bushing	59904778
1.3	Symbol plug Grey	59912112
2	Covering cap	59913068
2	Covering cap	59906563
3	Screw, M50x1, SW45	59913069
4	Cartridge, 4.8 eco	59904601
4.1	Hot water limiter	59904759
5.1	Connection nut, G3/4, AF30	59902230
5.2	Connector	59913400
5.3	Retaining ring, 23.9x15.2x2	59902689
5.4	Non-return valve	59905714
6	Eccentric, G3/4xG1/2	59904793
6.1	Cover flange	59904796
6.2	Silencer	59904792
6.3	Eccentric connector, G3/4xG1/2, DN15	59910254
7	Aerator, M24x1 B	59905872
7.1	Aerator, M22/M24	59905873
8	Diverter	59912706
8.1	Diverter knob	59912801
N.I.	Key, SW45/SW50	59905190