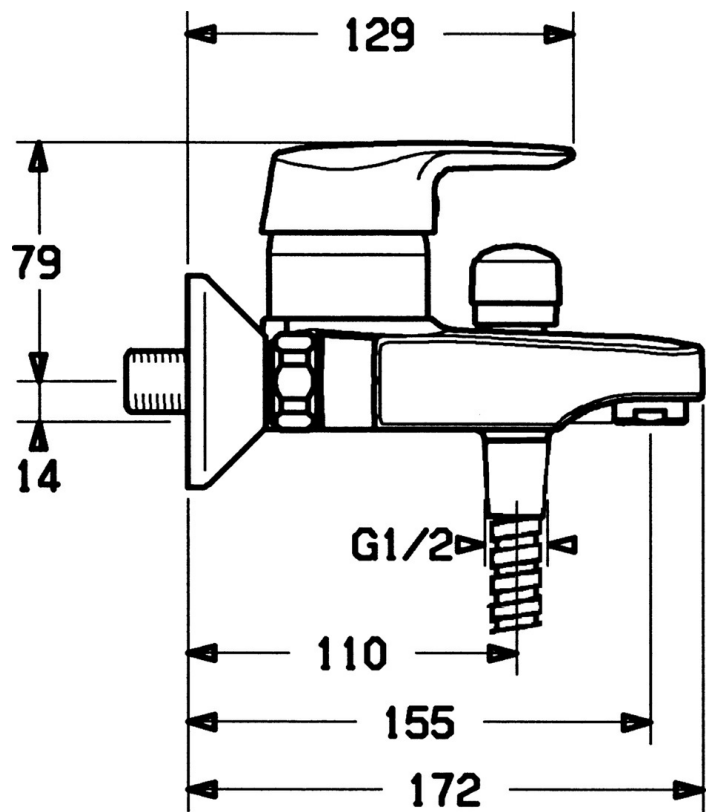


EAN: 4015474676572  
[static.hansa.com/01442111](http://static.hansa.com/01442111)



- Bathtub & Shower
- Single-lever
- Wall mounted
- Chrome
- Single operating lever/handle, Hot/Cold symbols
- Non-return valve(s)
- Silencer(s)
- protected against back-flow in domestic use (according to DIN EN 1717)



## Technical data

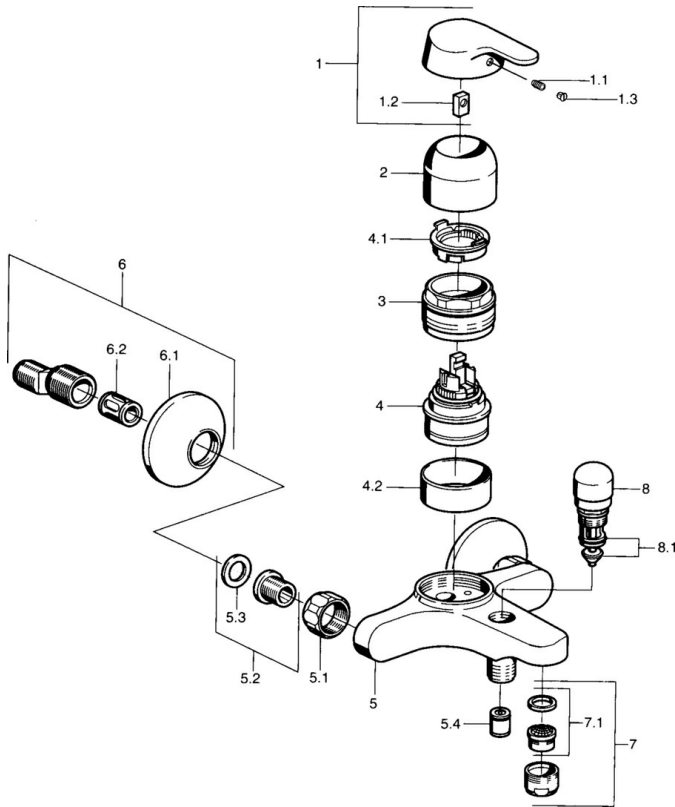
### Technical properties

Hot water supply	max. +80°C
Working pressure	0.5-10 bar
Backflow prevention (EN1717)	EB

### Regulations

EN standard	EN 817
-------------	--------

## Spare parts



### SP01442101

	Name	Code
1	Lever Discontinued	599015801
1.1	Screw, M5x8, SW2.5	59904755
1.2	Bushing	59904778
1.3	Plug, hot/cold	59906705
2	Covering cap	59911160
3	Tightening nut, M52x1, AF45	59911161
3.1	O-ring, d 39x2.5 Discontinued	59911162
4	Cartridge, 4.8 eco	59904601
4.1	Hot water limiter	59904759
4.2	Spacer sleeve Discontinued	59905871
5.1	Connection nut, G3/4, AF30	59902230
5.2	Seat, G1/2, L, WAF10	59904618
5.3	Retaining ring, 23.9x15.2x2	59902689
5.4	Non-return valve	59905714
6	Eccentric, G3/4xG1/2	59904793
6.1	Cover flange	59904796
6.2	Silencer	59904792
7	Aerator, M24x1 B	59905872
7.1	Aerator, M22/M24	59905873
8	Diverter	59910803
8.1	Sealing kit	59904791