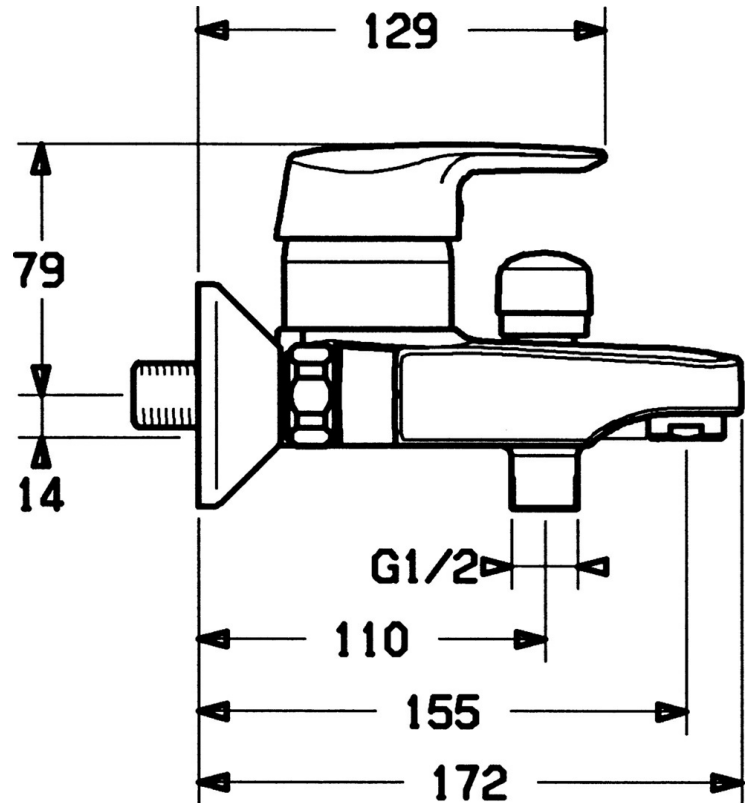


EAN: 4015474662827
static.hansa.com/01442101



- Bathtub & Shower
- Single-lever
- Wall mounted
- Chrome
- Single operating lever/handle, Hot/Cold symbols
- Non-return valve(s)
- Silencer(s)
- protected against back-flow in domestic use (according to DIN EN 1717)



Technical data

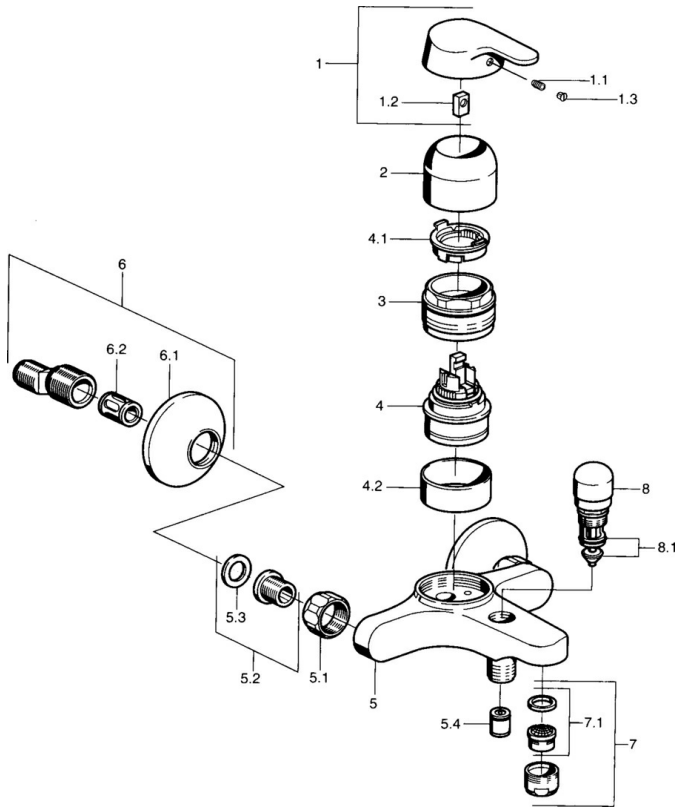
Technical properties

| | |
|------------------------------|-------------------|
| Hot water supply | max. +80°C |
| Working pressure | 0.5-10 bar |
| Backflow prevention (EN1717) | EB |

Regulations

| | |
|-------------|---------------|
| EN standard | EN 817 |
|-------------|---------------|

Spare parts



SP01442101

| | Name | Code |
|-----|-------------------------------|-----------|
| 1 | Lever Discontinued | 599015801 |
| 1.1 | Screw, M5x8, SW2.5 | 59904755 |
| 1.2 | Bushing | 59904778 |
| 1.3 | Plug, hot/cold | 59906705 |
| 2 | Covering cap | 59911160 |
| 3 | Tightening nut, M52x1, AF45 | 59911161 |
| 3.1 | O-ring, d 39x2.5 Discontinued | 59911162 |
| 4 | Cartridge, 4.8 eco | 59904601 |
| 4.1 | Hot water limiter | 59904759 |
| 4.2 | Spacer sleeve Discontinued | 59905871 |
| 5.1 | Connection nut, G3/4, AF30 | 59902230 |
| 5.2 | Seat, G1/2, L, WAF10 | 59904618 |
| 5.3 | Retaining ring, 23.9x15.2x2 | 59902689 |
| 5.4 | Non-return valve | 59905714 |
| 6 | Eccentric, G3/4xG1/2 | 59904793 |
| 6.1 | Cover flange | 59904796 |
| 6.2 | Silencer | 59904792 |
| 7 | Aerator, M24x1 B | 59905872 |
| 7.1 | Aerator, M22/M24 | 59905873 |
| 8 | Diverter | 59910803 |
| 8.1 | Sealing kit | 59904791 |