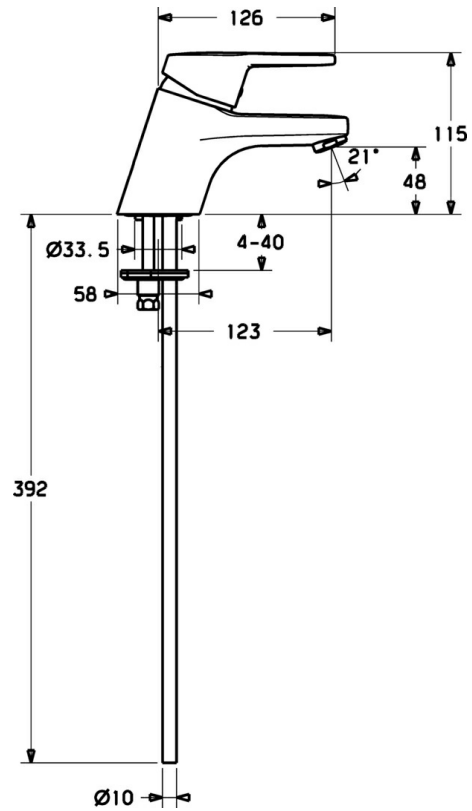
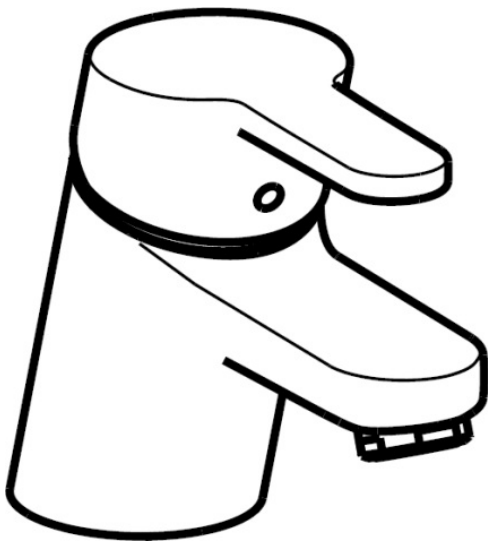


EAN: 4015474137318
static.hansa.com/01422173



- Washbasin
- Single-lever
- Deck mounted
- Chrome
- Fixed spout
- PCA® - constant flow rate regardless of pressure variations
- Hot/Cold symbols, Single operating lever/handle
- Limitation option for maximum temperature and flow-rate, Adjustable hot water stop (included, retrofittable)
- ϕ 48 mm ceramic eco cartridge for flow and temperature control
- Copper inlet pipes
- Inner body made of DZR brass, Rapid installation system
- Without pop-up waste, Without draw-rod opening



Technical data

Flow properties

Eco-flow at 3 bar	4.2 l/min
Flow-rate at 3 bar (with flow controller)	7.8 l/min

Technical properties

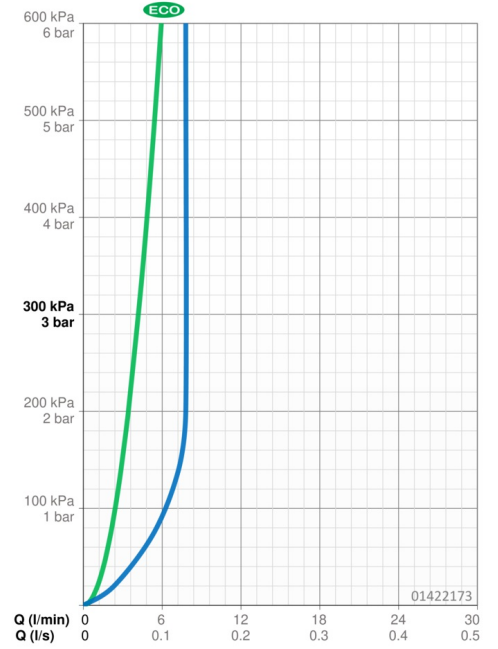
DN-size (nominal dimension)	DN15
Hot water supply	max. +80°C
Working pressure	0.5-10 bar
Connection size	Ø10
Projection	123 mm
Material	Brass

Regulations

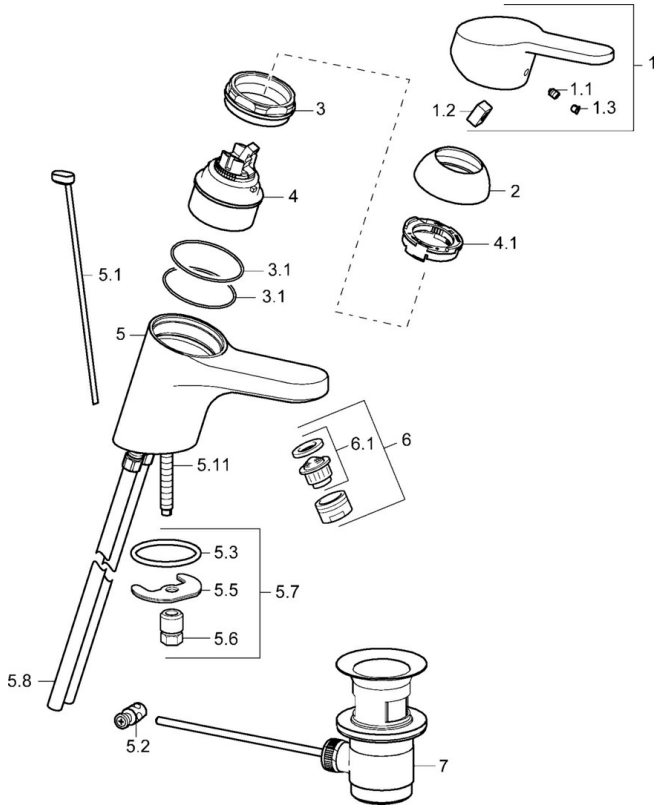
EN standard	EN 817
Noise class	I (ISO 3822)

Approvals and Declarations

ABP	P-IX 28417/IA
-----	----------------------



Spare parts



SP01402173

	Name	Code
1	Lever, L=110 Discontinued	01580076
1	Lever, L=86 mm	01580073
1.1	Screw, M5x8, SW2.5	59904755
1.2	Bushing	59904778
1.3	Symbol plug Grey	59912112
2	Covering cap	59913068
3	Screw, M50x1, SW45	59913069
3.1	O-ring, d 48x2	59913072
4	Cartridge, 4.8 eco	59904601
4	Cartridge, 4.8 Eco-Top	59911431
4.1	Hot water limiter	59904759
5.1	Pop-up operating rod	59913067
5.2	Swivel joint	59904624
5.3	O-ring, 42x3.5	59904764
5.5	Fixing plate	59904765
5.6	Screw, M8x1, SW13	59904766
5.7	Fixing set	59910749
5.8	Pipe	59913070
5.11	Fixing screw, M8x1, L=140	59912474
6	Aerator, M24x1 STD HC A	59902366
6	Aerator, M24x1 (2011-)	59913739
6.1	Aerator, M22/24 A	59902081
7	Pop-up waste	59904620
N.I.	Washer with chain holder	59902219
N.I.	Flexible pipe	59913071
N.I.	Key, SW45/SW50	59905190