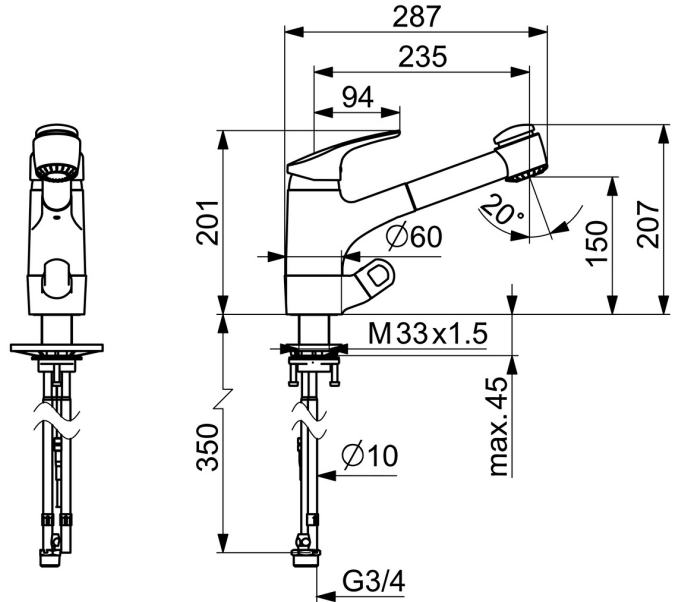
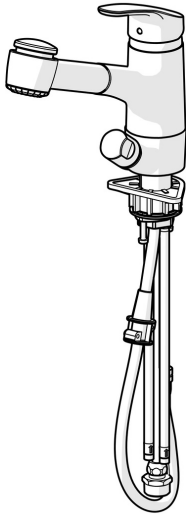


EAN: 4015474276666
static.hansa.com/01392183



- Kitchen
- Single-lever, Dishwasher valve
- Deck mounted
- Chrome
- Pull-out model, Swivel spout
- Standard aerator
- Mechanic stop valve for external equipment
- Hot/Cold symbols, Single operating lever/handle
- Shower hose (1400 mm)
- Limitation option for maximum temperature and flow-rate, Adjustable hot water stop (included, retrofittable)
- ϕ 48 mm ceramic cartridge for flow and temperature control, Non-return valve(s)
- Copper inlet pipes
- Surfaces in contact with drinking water contain less than 0.3% lead, Inner body made of DZR brass, Waterways without nickel coating
- protected against back-flow in domestic use (according to DIN EN 1717)
- 2 spray functions



Technical data

Flow properties

Eco-flow at 3 bar	6.0 l/min
Flow-rate at 3 bar	12.0 l/min

Technical properties

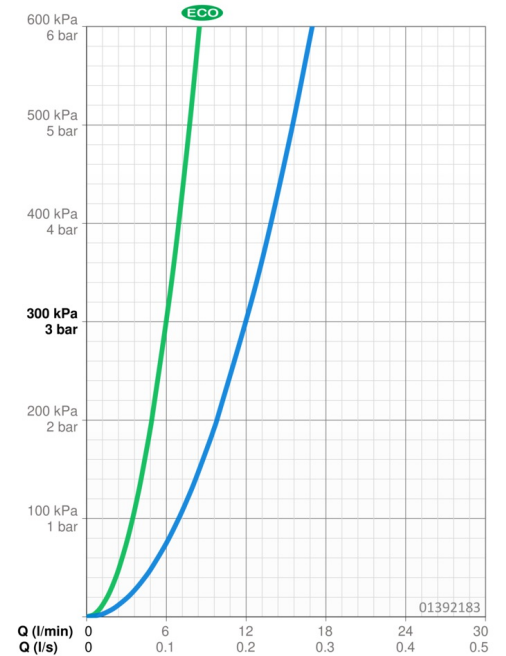
DN-size (nominal dimension)	DN15
Hot water supply	max. +80°C
Working pressure	0.5-10 bar
Projection	235 mm
Backflow prevention (EN1717)	EB
Material	Brass

Regulations

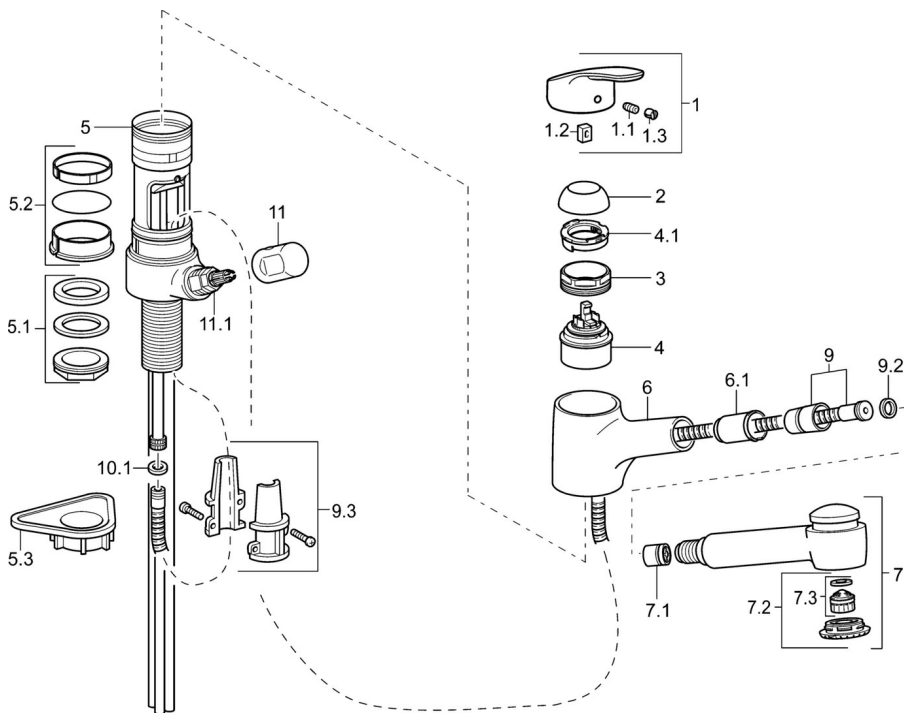
EN standard	EN 817
Noise class	I (ISO 3822)

Approvals and Declarations

ABP	PA-IX 29663/IBO
Declaration of conformity	DoC



Spare parts



SP01392183

Name	Code
1 Lever, L=93 mm	01880083
1.1 Screw, M5x8, SW2.5	59904755
1.2 Bushing	59904778
1.3 Symbol plug Grey	59912112
2 Covering cap	59912647
3 Eye screw, M50x1, SW45	59904775
4 Cartridge, 4.8 eco	59904601
4.1 Hot water limiter	59904759
5.1 Fixing set, M33x1.5	59912717
5.2 Sealing kit	59912646
5.3 Supporting plate	59910008
6 Spout Discontinued	59912721
6.1 Passing-through bushing	59912724
7 Pull-out spout	59912722
7.1 Non-return valve	59905714
7.2 Hand shower screen	59913878
7.3 Aerator, M22/M24 B	59905901
9 Hose, L=1400	59912720
9.2 Gasket ring, d 21x12x2	59912304
9.3 Retainer	59906600
10.1 Gasket, 9.5x14.4x2	59912551
10.2 Coupling pipe, M10x1, M14x1, L=230	59912718
11 Handle	59910370
11.1 Headpart, G1/2	59913457