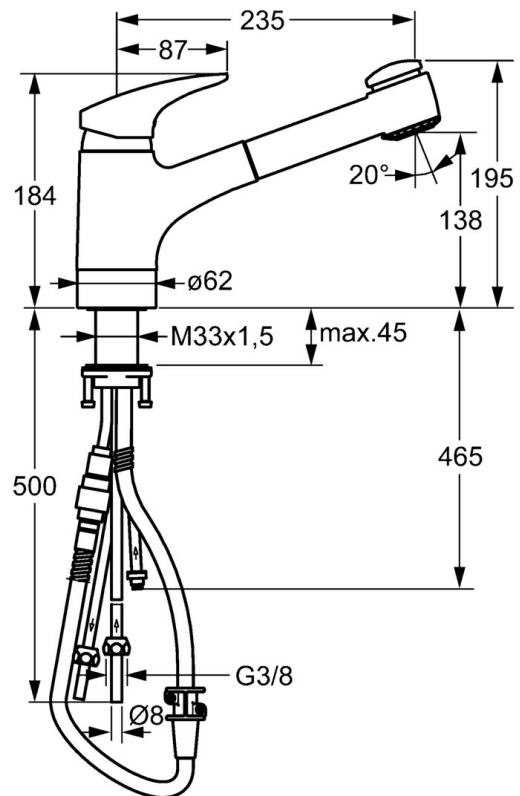
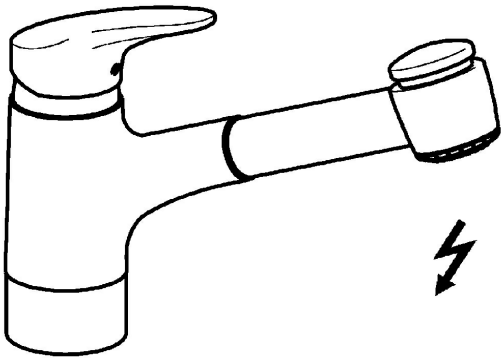


EAN: 7612158362973  
[static.hansa.com/01361173](http://static.hansa.com/01361173)



- Kitchen
- Single-lever, Low pressure
- Deck mounted
- Chrome
- Swivel spout, Pull-out model
- Laminar stream
- Single operating lever/handle, Hot/Cold symbols
- Non-return valve(s)
- Copper inlet pipes
- Surfaces in contact with drinking water contain less than 0.3% lead, Inner body made of DZR brass, Waterways without nickel coating
- protected against back-flow in domestic use (according to DIN EN 1717)



## Technical data

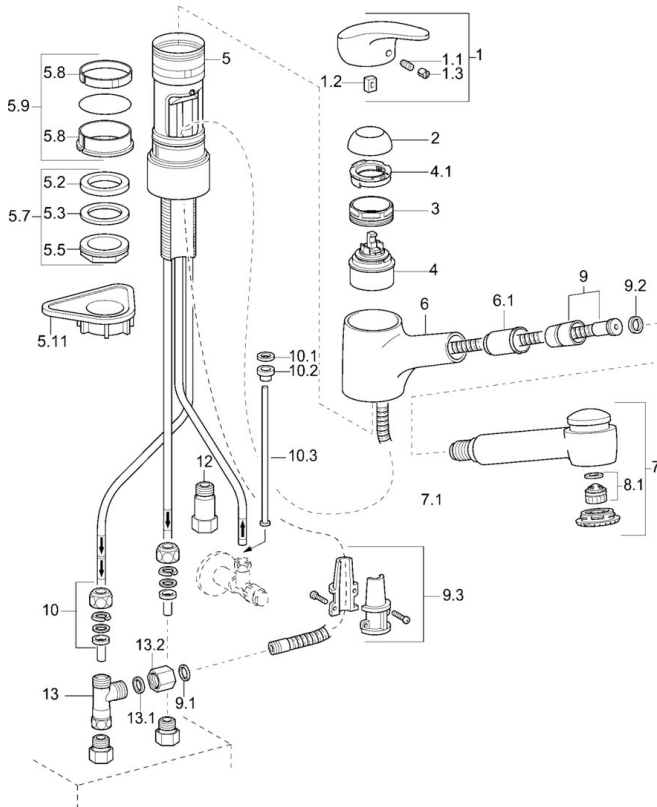
### Technical properties

|                              |                   |
|------------------------------|-------------------|
| Hot water supply             | <b>max. +80°C</b> |
| Working pressure             | <b>0.5-5 bar</b>  |
| Backflow prevention (EN1717) | <b>EB</b>         |
| Material                     | <b>Brass</b>      |

### Regulations

|             |               |
|-------------|---------------|
| EN standard | <b>EN 817</b> |
|-------------|---------------|

## Spare parts



### SP01361173

|      | Name                             | Code     |
|------|----------------------------------|----------|
| 1    | Lever, L=87 mm                   | 59914195 |
| 1.1  | Screw, M5x8, SW2.5               | 59904755 |
| 1.2  | Bushing                          | 59904778 |
| 1.3  | Symbol plug Grey                 | 59912112 |
| 2    | Covering cap                     | 59912647 |
| 3    | Eye screw, M50x1, SW45           | 59904775 |
| 4    | Cartridge, 4.8 eco               | 59904601 |
| 4.1  | Hot water limiter                | 59904759 |
| 5.7  | Fixing set, M33x1.5              | 59912717 |
| 5.9  | Sealing kit                      | 59912646 |
| 5.11 | Supporting plate                 | 59910008 |
| 6    | Spout Discontinued               | 59912721 |
| 6.1  | Passing-through bushing          | 59912724 |
| 7    | Pull-out spout                   | 59912723 |
| 8.1  | Aerator, M22/24, ND              | 59901553 |
| 9    | Hose, L=1400                     | 59912720 |
| 9.1  | Gasket, 9.5x14.4x2               | 59912551 |
| 9.2  | Gasket ring, d 21x12x2           | 59912304 |
| 9.3  | Retainer                         | 59906600 |
| 10   | Fitting nut                      | 59904969 |
| 10.1 | Sealing kit, 14.9x8.5x1          | 59902352 |
| 10.2 | Sealing kit, 10x8                | 59902272 |
| 10.3 | Hose                             | 59902151 |
| 12   | Non-return valve, G3/8xG3/8      | 59912107 |
| 13   | T-connector, M14x1 ND            | 59913480 |
| 13.1 | Gasket, 14.8x10x1.5 Discontinued | 59905042 |