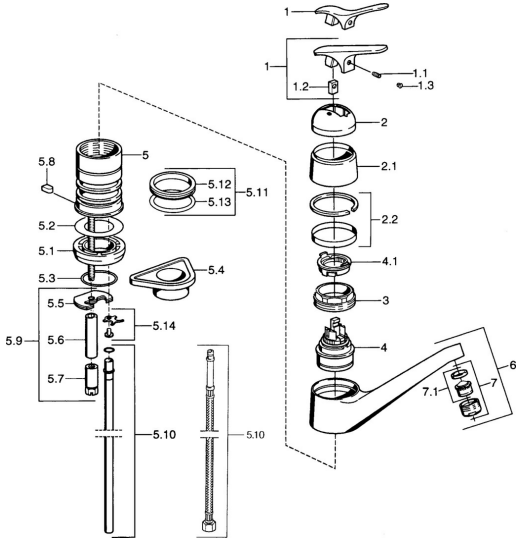


EAN: 4015474661585  
[static.hansa.com/0123210283](http://static.hansa.com/0123210283)



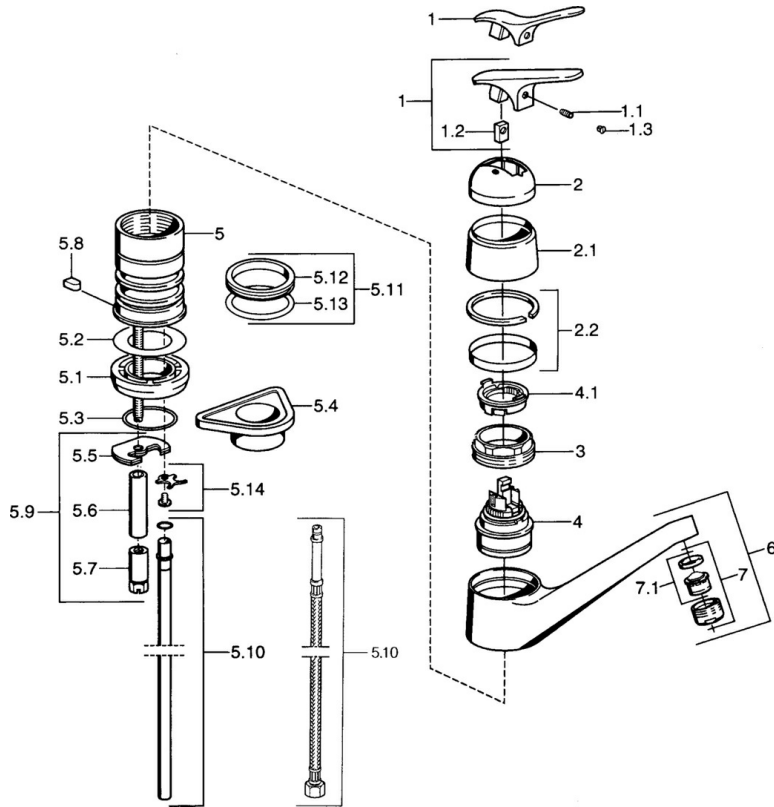
- Kitchen
- Single-lever
- Deck mounted
- Red

## Technical data

### Technical properties

|                  |                   |
|------------------|-------------------|
| Hot water supply | <b>max. +80°C</b> |
| Working pressure | <b>0.5-10 bar</b> |
| Material         | <b>Brass</b>      |

## Spare parts



### SP01232102

|      | Name                                | Code     |
|------|-------------------------------------|----------|
| 1.1  | Screw, M5x8, SW2.5                  | 59904755 |
| 1.2  | Bushing                             | 59904778 |
| 1.3  | Plug, hot/cold                      | 59906705 |
| 2    | Covering cap Discontinued           | 59905867 |
| 2.1  | Covering ring Discontinued          | 59911424 |
| 2.2  | Covering ring Discontinued          | 59911424 |
| 3    | Fixing screw, M50x1, SW45           | 59904890 |
| 4    | Cartridge, 4.8 eco                  | 59904601 |
| 4.1  | Hot water limiter                   | 59904759 |
| 5.2  | Gasket, 59x26x0.5 Discontinued      | 59911425 |
| 5.3  | O-ring, d 38x3.5                    | 59910236 |
| 5.4  | Supporting plate                    | 59910008 |
| 5.5  | Fixing plate                        | 59904765 |
| 5.6  | Screw, M8x1, SW13                   | 59904766 |
| 5.7  | Retainer Discontinued               | 59905690 |
| 5.9  | Fixing set                          | 59910749 |
| 5.10 | Coupling pipe Discontinued          | 59910629 |
| 5.11 | Sealing kit                         | 59904891 |
| 5.12 | Gasket, 40.3x6                      | 59911387 |
| 5.13 | O-ring, 47.22x3.53 Discontinued     | 59911386 |
| 5.14 | Attachment clamp Discontinued       | 59911416 |
| 6    | Spout Discontinued                  | 59910640 |
| 7    | Aerator, M24x1 Mocha Discontinued   | 59904998 |
| 7    | Aerator, M24x1 STD HC A             | 59902366 |
| 7    | Aerator, M24x1 A White Discontinued | 59905419 |
| 7.1  | Aerator, M22/24 A                   | 59902081 |