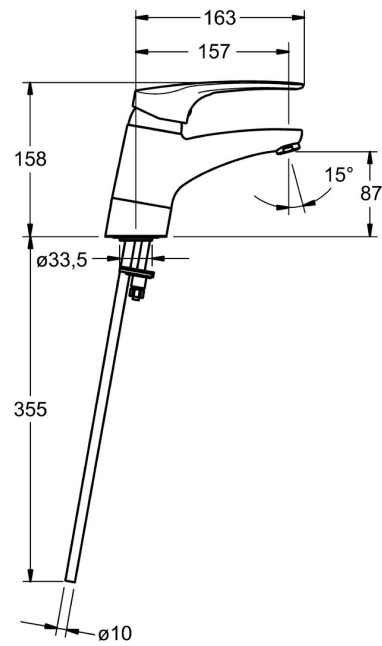
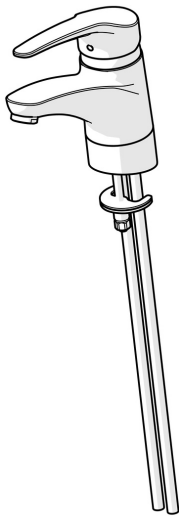


EAN: 4015474271203
static.hansa.com/01182186



- Health & Care
- Single-lever
- Deck mounted
- Chrome
- Swivel spout
- Laminar stream
- Long shape, Hot/Cold symbols, Single operating lever/handle
- Limitation option for maximum temperature and flow-rate, Adjustable hot water stop (included, retrofittable)
- \varnothing 48 mm ceramic eco cartridge for flow and temperature control
- Copper inlet pipes
- Inner body made of DZR brass, Waterways without nickel coating
- Without pop-up waste, Without draw-rod opening



Technical data

Flow properties

Eco-flow at 3 bar	6.0 l/min
Flow-rate at 3 bar	12.0 l/min

Technical properties

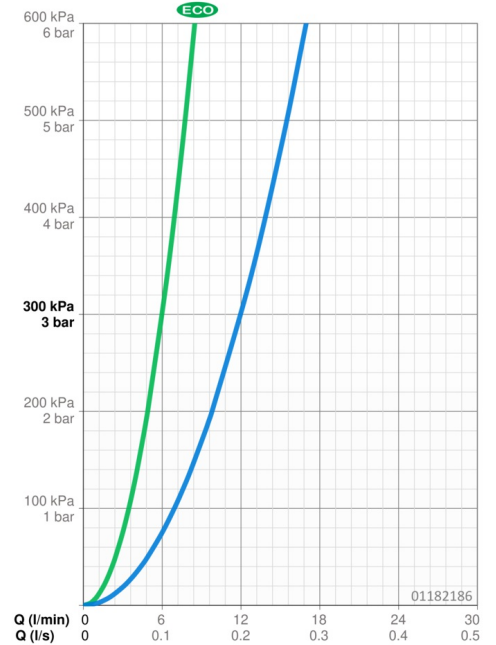
DN-size (nominal dimension)	DN15
Hot water supply	max. +80°C
Working pressure	0.5-10 bar
Connection size	Ø 10 mm
Projection	157 mm
Backflow prevention (EN1717)	AA
Material	Brass

Regulations

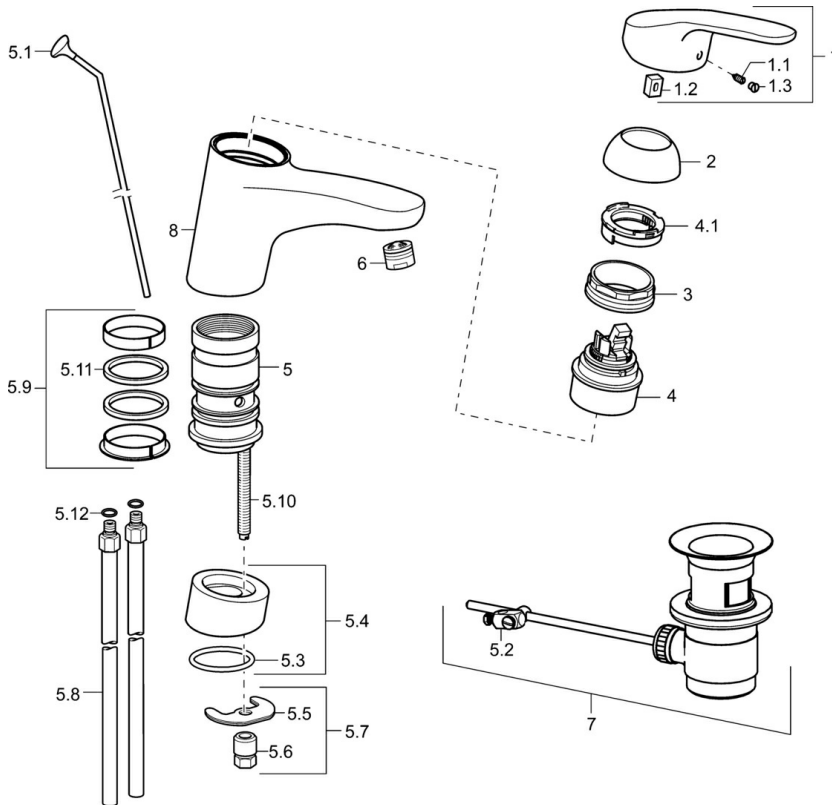
EN standard	EN 817
Noise class	I (ISO 3822)

Approvals and Declarations

KIWA	K6116/08
ABP	P-IX 29887/IA
Declaration of conformity	DoC



Spare parts



SP01192183

	Name	Code
1	Lever, L=93 mm	01880083
1	Long lever, L=138	01880076
1.1	Screw, M5x8, SW2.5	59904755
1.2	Bushing	59904778
1.3	Symbol plug Grey	59912112
2	Covering cap	59912647
3	Fixing screw, M50x1, SW45	59904890
4	Cartridge, 4.8 eco	59904601
4.1	Hot water limiter	59904759
5.1	Pop-up operating rod Discontinued	59914050
5.2	Swivel joint	59904624
5.4	Raising socket	59914051
5.5	Fixing plate	59904765
5.6	Screw, M8x1, SW13	59904766
5.7	Fixing set	59910749
5.8	Coupling pipe, L=430, M10x1	59912550
5.9	Sealing kit	59912646
5.10	Fixing screw, M8x1, L=140	59912474
5.11	Gasket, 40.3x6	59911387
5.12	O-ring, d 7.65x1.78	59902337
6	Aerator, M24x1 (2011-)	59913739
7	Pop-up waste	59904620
8	Spout Discontinued	59914052