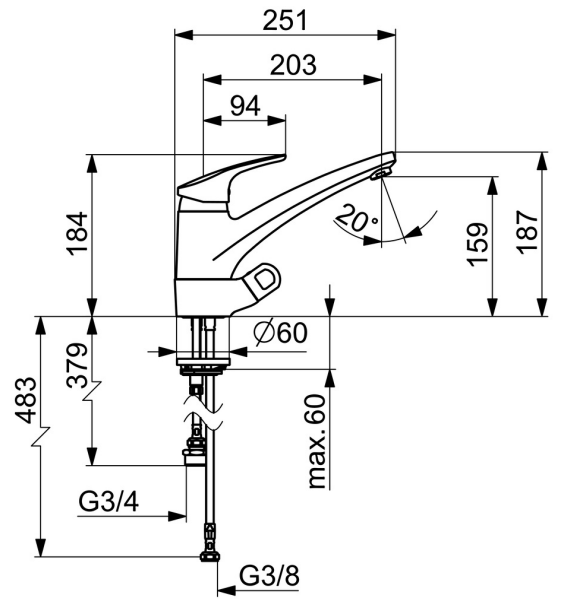
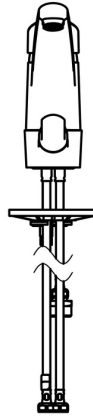
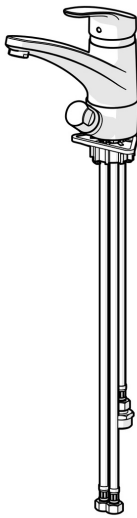


EAN: 4015474276604
static.hansa.com/01152283



- Kitchen
- Single-lever, Dishwasher valve
- Deck mounted
- Chrome
- Swivel spout, Casted construction
- Standard aerator
- Mechanic stop valve for external equipment
- Hot/Cold symbols, Single operating lever/handle
- Limitation option for maximum temperature and flow-rate, Adjustable hot water stop (included, retrofittable)
- \varnothing 48 mm ceramic eco cartridge for flow and temperature control
- Flexible inlet pipes
- Inner body made of DZR brass, Surfaces in contact with drinking water contain less than 0.3% lead, Waterways without nickel coating



Technical data

Flow properties

Eco-flow at 3 bar	6.0 l/min
Flow-rate at 3 bar	12.0 l/min

Technical properties

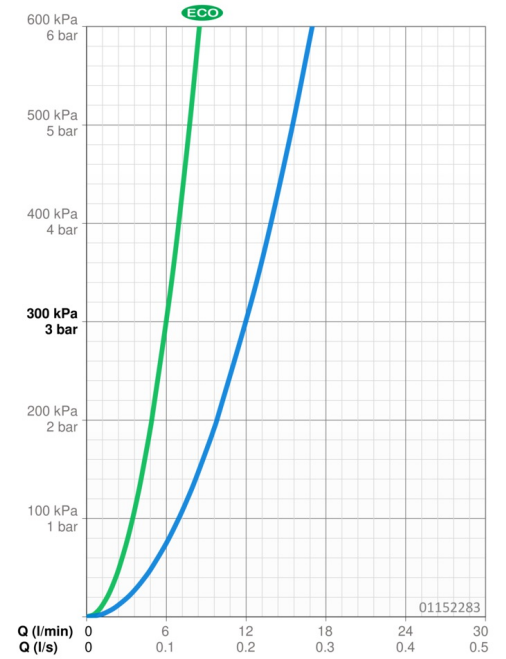
DN-size (nominal dimension)	DN15
Hot water supply	max. +70°C
Working pressure	0.5-10 bar
Connection size	G3/8
Projection	203 mm
Backflow prevention (EN1717)	AA
Material	Brass

Regulations

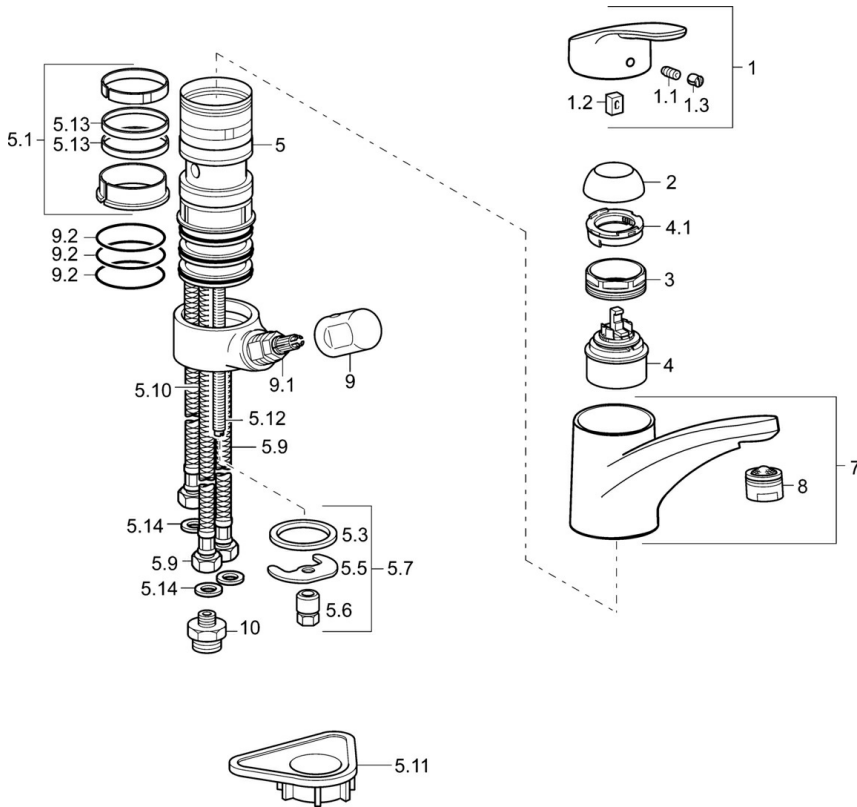
EN standard	EN 817
Noise class	I (ISO 3822)

Approvals and Declarations

ABP	PA-IX 29662/IA
Declaration of conformity	DoC



Spare parts



SP01152283

	Name	Code
1	Lever, L=93 mm	01880083
1.1	Screw, M5x8, SW2.5	59904755
1.2	Bushing	59904778
1.3	Symbol plug Grey	59912112
2	Covering cap	59912647
3	Fixing screw, M50x1, SW45	59904890
4	Cartridge, 4.8 eco	59904601
4.1	Hot water limiter	59904759
5.1	Sealing kit	59912646
5.2	Raising socket, 30 mm	59912710
5.3	Gasket, 37x48x3.5	59911422
5.5	Fixing plate	59904765
5.6	Screw, M8x1, SW13	59904766
5.7	Fixing set	59910749
5.9	Flexible pipe, L=500, G3/8-M10x1	59911767
5.10	Flexible pipe, L=430, G3/8-M10x1	59912515
5.11	Supporting plate	59910008
5.12	Fixing screw, M8x1, L=140	59912474
5.13	Gasket, 40.3x6	59911387
5.14	Gasket, 9.5x14.4x2	59912551
7	Spout	59912711
8	Aerator, M24x1 A (2011-)	59913740
9	Handle	59910370
9.1	Headpart, G1/2	59913457
9.2	O-ring, d 45x2.5	59911151
10	Connector nipple, G3/4xG3/8 Discontinued	59910940