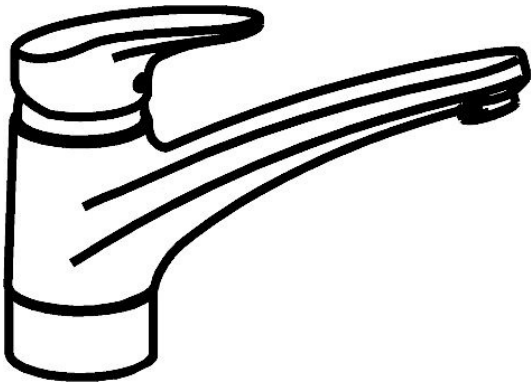


EAN: 4015474083868
static.hansa.com/0114227387

- Kitchen
- Single-lever
- Deck mounted
- Mocha
- Swivel spout
- Single operating lever/handle, Hot/Cold symbols
- Limitation option for maximum temperature and flow-rate, Adjustable hot water stop (included, retrofittable)
- ϕ 48 mm ceramic eco cartridge for flow and temperature control
- Flexible inlet pipes
- Surfaces in contact with drinking water contain less than 0.3% lead, Inner body made of DZR brass, Waterways without nickel coating



Technical data

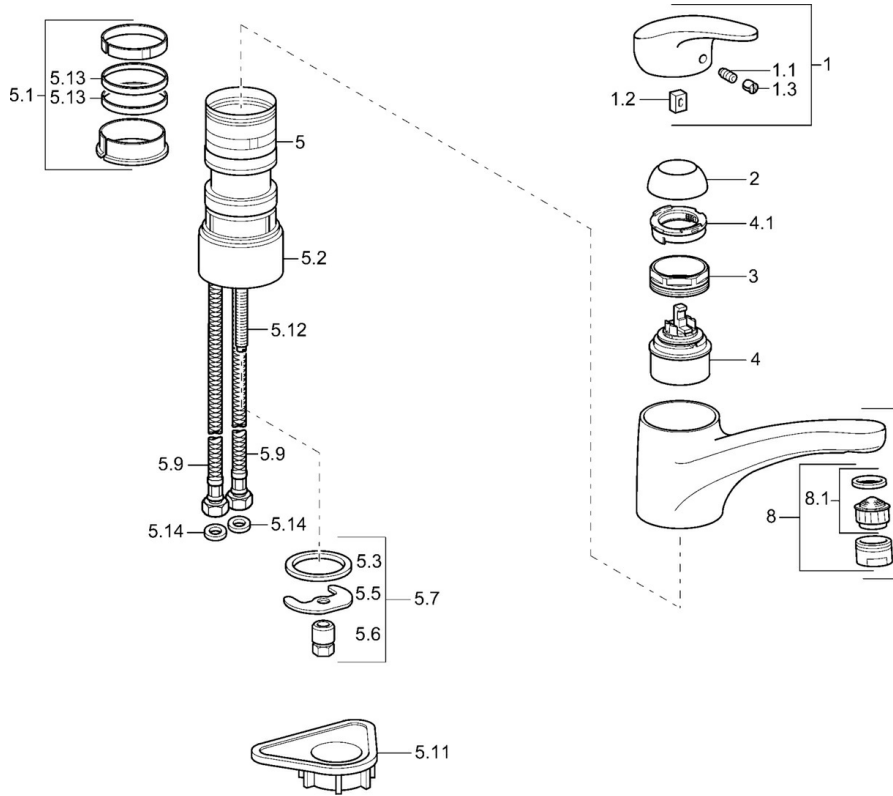
Technical properties

DN-size (nominal dimension)	DN15
Hot water supply	max. +70°C
Working pressure	0.5-10 bar
Backflow prevention (EN1717)	AA
Material	Brass

Regulations

EN standard	EN 817
-------------	---------------

Spare parts



SP01142273

	Name	Code
1	Lever, L=87 mm	59914195
1.1	Screw, M5x8, SW2.5	59904755
1.2	Bushing	59904778
1.3	Symbol plug Grey	59912112
2	Covering cap Mocha Discontinued	5991264787
2	Covering cap	59912647
3	Fixing screw, M50x1, SW45	59904890
4	Cartridge, 4.8 eco	59904601
4.1	Hot water limiter	59904759
5.1	Sealing kit	59912646
5.2	Raising socket, 30 mm	59912710
5.3	Gasket, 37x48x3.5	59911422
5.5	Fixing plate	59904765
5.6	Screw, M8x1, SW13	59904766
5.7	Fixing set	59910749
5.9	Flexible pipe, L=430, G3/8-M10x1	59912515
5.11	Supporting plate	59910008
5.12	Fixing screw, M8x1, L=140	59912474
5.13	Gasket, 40.3x6	59911387
5.14	Gasket, 9.5x14.4x2	59912551
7	Spout White Discontinued	5991271182
7	Spout	59912711
8	Aerator, M24x1 A White Discontinued	59905419
8	Aerator, M24x1 STD HC A	59902366
8	Aerator, M24x1 Mocha Discontinued	59904998
8.1	Aerator, M22/24 A	59902081
N.I.	Aerator, M24x1 A (2011-)	59913740