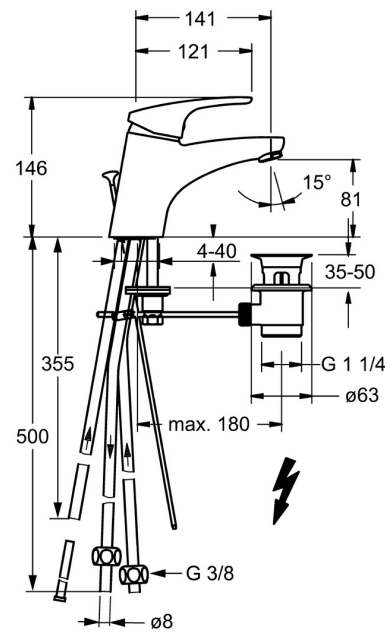
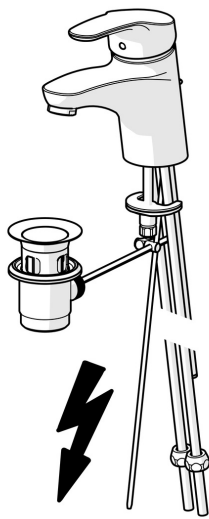


EAN: 4015474271166
static.hansa.com/01131183



- Washbasin
- Single-lever, Low pressure
- Deck mounted
- Chrome
- Fixed spout
- Laminar stream, Standard aerator
- Hot/Cold symbols, Single operating lever/handle
- Pop-up waste with draw-rod
- Limitation option for maximum temperature and flow-rate, Adjustable hot water stop (included, retrofittable)
- \varnothing 48 mm ceramic eco cartridge for flow and temperature control
- Copper inlet pipes
- Inner body made of DZR brass, Rapid installation system



Technical data

Technical properties

DN-size (nominal dimension)	DN15
Hot water supply	max. +80°C
Working pressure	0.5-5 bar
Connection size	\varnothing 8 mm
Projection	141 mm
Backflow prevention (EN1717)	AA
Material	Brass

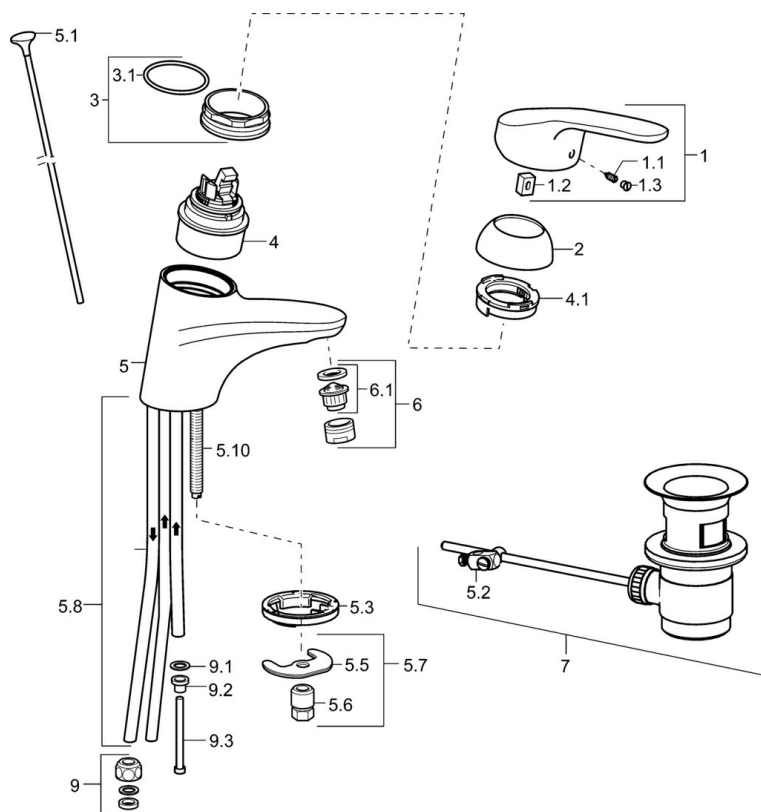
Regulations

EN standard	EN 817
Noise class	I (ISO 3822)

Approvals and Declarations

ABP	P-IX 29888/I
Declaration of conformity	DoC

Spare parts



SP01131183

	Name	Code
1	Long lever, L=138	01880076
1	Lever, L=93 mm	01880083
1.1	Screw, M5x8, SW2.5	59904755
1.2	Bushing	59904778
1.3	Symbol plug Grey	59912112
2	Covering cap	59912638
3	Eye screw, M50x1, SW45	59904775
3.1	O-ring, d 43x2.5	59911166
4	Cartridge, 4.8 eco	59904601
4.1	Hot water limiter	59904759
5.1	Pop-up operating rod	59914053
5.2	Swivel joint	59904624
5.3	Bottom seal	59914591
5.5	Fixing plate	59904765
5.6	Screw, M8x1, SW13	59904766
5.7	Fixing set	59910749
5.8	Pipe Discontinued	59911173
5.10	Fixing screw, M8x1, L=140	59912474
6	Aerator, M24x1 A, low pressure	59902692
6.1	Aerator, M22/24, ND	59901553
7	Pop-up waste	59904620
9	Fitting nut	59904969
9.1	Sealing kit, 14.9x8.5x1	59902352
9.2	Sealing kit, 10x8	59902272
9.3	Hose	59902151