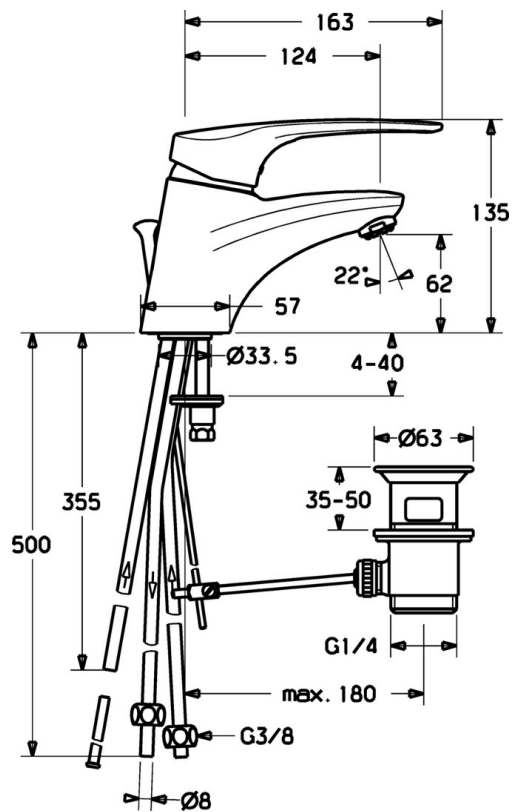
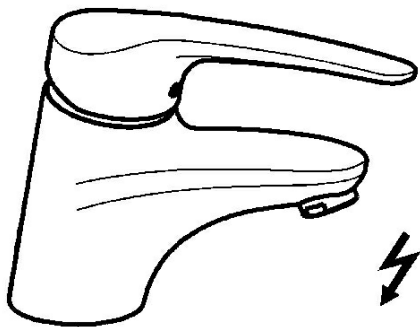


EAN: 4015474076815
static.hansa.com/01131176



- Health & Care
- Single-lever, Low pressure
- Deck mounted
- Chrome
- Fixed spout
- Laminar stream
- Long shape, Hot/Cold symbols, Single operating lever/handle
- Pop-up waste with draw-rod
- Limitation option for maximum temperature and flow-rate, Adjustable hot water stop (included, retrofittable)
- \varnothing 48 mm ceramic eco cartridge for flow and temperature control
- Copper inlet pipes
- Waterways without nickel coating



Technical data

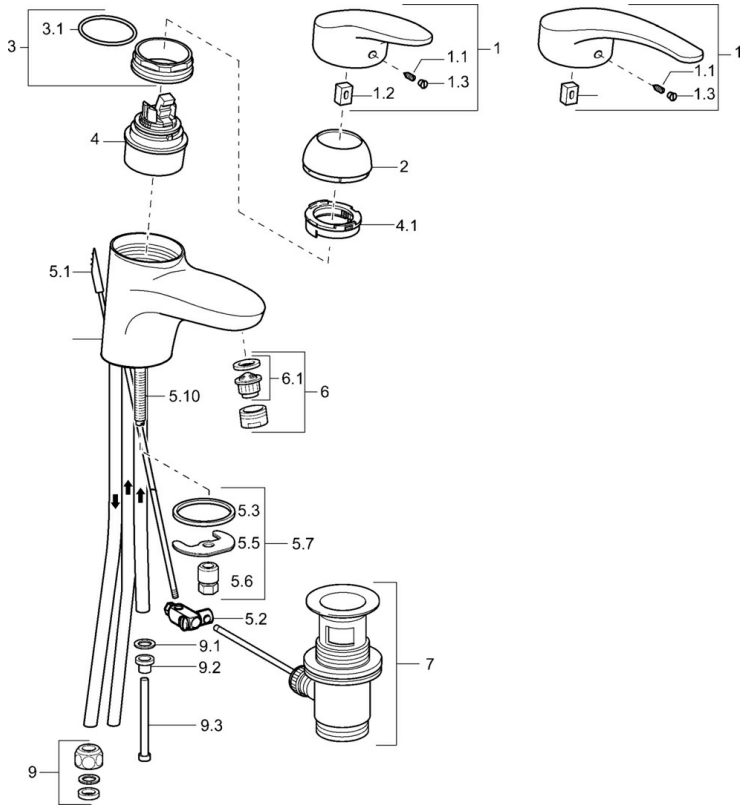
Technical properties

DN-size (nominal dimension)	DN15
Hot water supply	max. +80°C
Working pressure	0.5-5 bar
Connection size	Ø 8 mm
Projection	124 mm
Material	Brass

Regulations

EN standard	EN 817
-------------	---------------

Spare parts



SP01131173

	Name	Code
1	Lever, L=87 mm	59914195
1	Long lever, L=138	01880076
1.1	Screw, M5x8, SW2.5	59904755
1.2	Bushing	59904778
1.3	Symbol plug Grey	59912112
2	Covering cap	59912638
3	Eye screw, M50x1, SW45	59904775
3.1	O-ring, d 43x2.5	59911166
4	Cartridge, 4.8 eco	59904601
4.1	Hot water limiter	59904759
5.1	Pop-up operating rod Discontinued	59913033
5.2	Swivel joint	59904624
5.3	Gasket, 37x48x3.5	59911422
5.5	Fixing plate	59904765
5.6	Screw, M8x1, SW13	59904766
5.7	Fixing set	59910749
5.8	Pipe Discontinued	59911173
5.10	Fixing screw, M8x1, L=140	59912474
6	Aerator, M24x1 A, low pressure	59902692
6.1	Aerator, M22/24, ND	59901553
7	Pop-up waste	59904620
9	Fitting nut	59904969
9.1	Sealing kit, 14.9x8.5x1	59902352
9.2	Sealing kit, 10x8	59902272
9.3	Hose	59902151