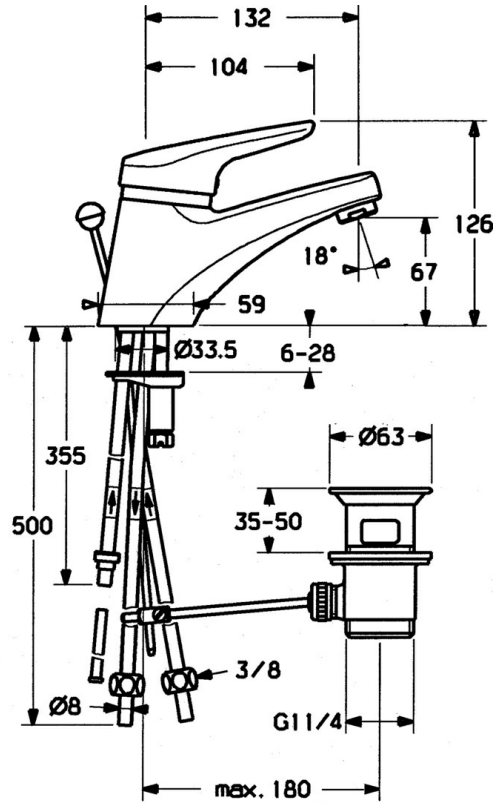


EAN: 4015474540804
static.hansa.com/0113110290

- Washbasin
- Single-lever, Low pressure
- Deck mounted
- Chrome/Gold
- Fixed spout
- Laminar stream
- Single operating lever/handle, Hot/Cold symbols
- Pop-up waste with draw-rod
- \varnothing 48 mm ceramic eco cartridge for flow and temperature control
- Copper inlet pipes
- Rapid installation system



Technical data

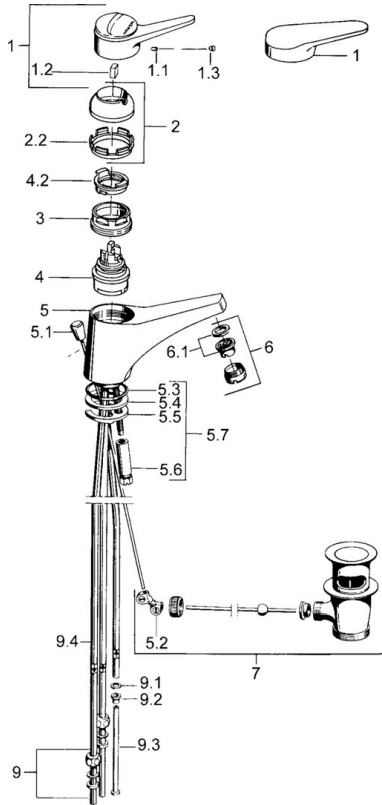
Technical properties

| | |
|-----------------------------|--------------------------------------|
| DN-size (nominal dimension) | DN15 |
| Hot water supply | max. +80°C |
| Working pressure | 0.5-5 bar |
| Connection size | \varnothing 8 mm |
| Projection | 130 mm |
| Material | Brass |

Regulations

| | |
|-------------|---------------|
| EN standard | EN 817 |
|-------------|---------------|

Spare parts



SP01131102

| | Name | Code |
|------|------------------------------------|----------|
| 1 | Lever, (-2004) | 59901882 |
| 1.1 | Screw, M5x8, SW2.5 | 59904755 |
| 1.2 | Bushing | 59904778 |
| 1.3 | Plug, hot/cold | 59906705 |
| 2 | Covering cap | 59906563 |
| 2 | Covering cap, (-1994) Discontinued | 59904756 |
| 2.1 | Ring Discontinued | 59904809 |
| 2.2 | Fixing sleeve | 59906695 |
| 3 | Eye screw, M50x1, SW45 | 59904775 |
| 4 | Cartridge, 4.8 eco | 59904601 |
| 4.2 | Hot water limiter | 59904759 |
| 5.2 | Swivel joint | 59904624 |
| 5.3 | O-ring, 42x3.5 | 59904764 |
| 5.4 | Gasket, 48x33.5x2 | 59902283 |
| 5.5 | Fixing plate | 59904765 |
| 5.6 | Screw, M8x1, SW13 | 59904766 |
| 5.7 | Fixing set | 59910749 |
| 6 | Aerator, M24x1 A, low pressure | 59902692 |
| 6 | Aerator, M24x1 White | 59905527 |
| 6.1 | Aerator, M22/24, ND | 59901553 |
| 7 | Pop-up waste | 59904620 |
| 9 | Fitting nut | 59904969 |
| 9.1 | Sealing kit, 14.9x8.5x1 | 59902352 |
| 9.2 | Sealing kit, 10x8 | 59902272 |
| 9.3 | Hose | 59902151 |
| N.I. | Plug | 59906910 |
| N.I. | Washer with chain holder | 59902219 |