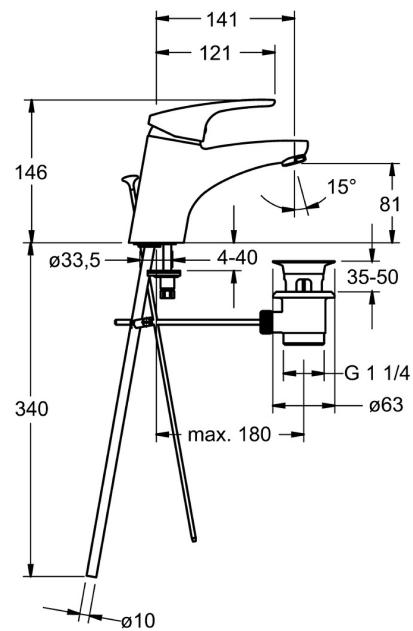
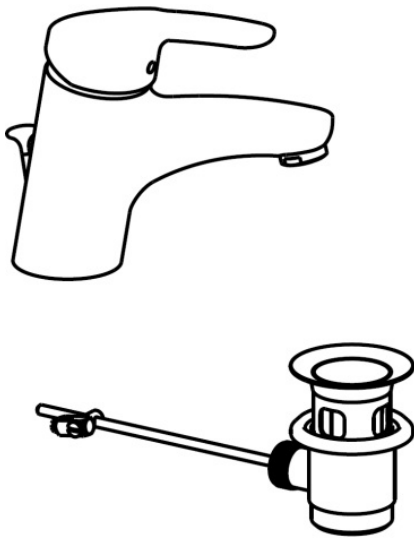


EAN: 4015474271289
static.hansa.com/0109218300006



- Washbasin
- Single-lever, Cold Start
- Deck mounted
- Chrome
- Fixed spout
- PCA® - constant flow rate regardless of pressure variations
- Hot/Cold symbols, Single operating lever/handle
- Pop-up waste with draw-rod
- Limitation option for maximum temperature and flow-rate, Adjustable hot water stop (included, retrofittable), Energy saving variation (Cold Start) - cold water in the middle position
- ø 48 mm ceramic eco cartridge for flow and temperature control
- Copper inlet pipes
- Inner body made of DZR brass, Rapid installation system



Technical data

Flow properties

Eco-flow at 3 bar	4.2 l/min
Flow-rate at 3 bar (with flow controller)	7.8 l/min

Technical properties

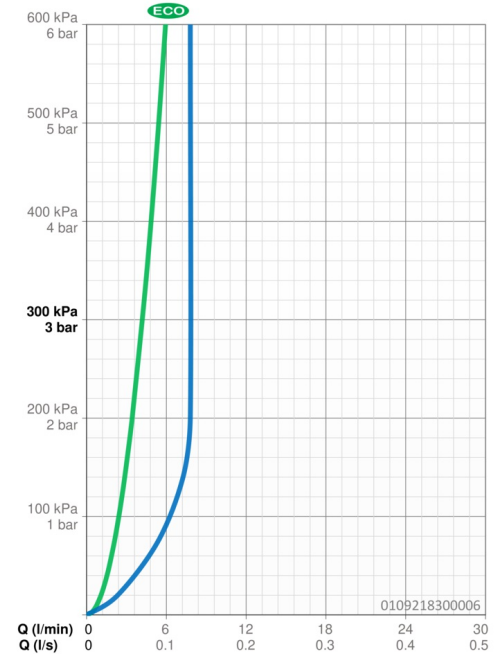
DN-size (nominal dimension)	DN15
Hot water supply	max. +80°C
Working pressure	0.5-10 bar
Connection size	Ø 10 mm
Projection	141 mm
Backflow prevention (EN1717)	AA
Material	Brass

Regulations

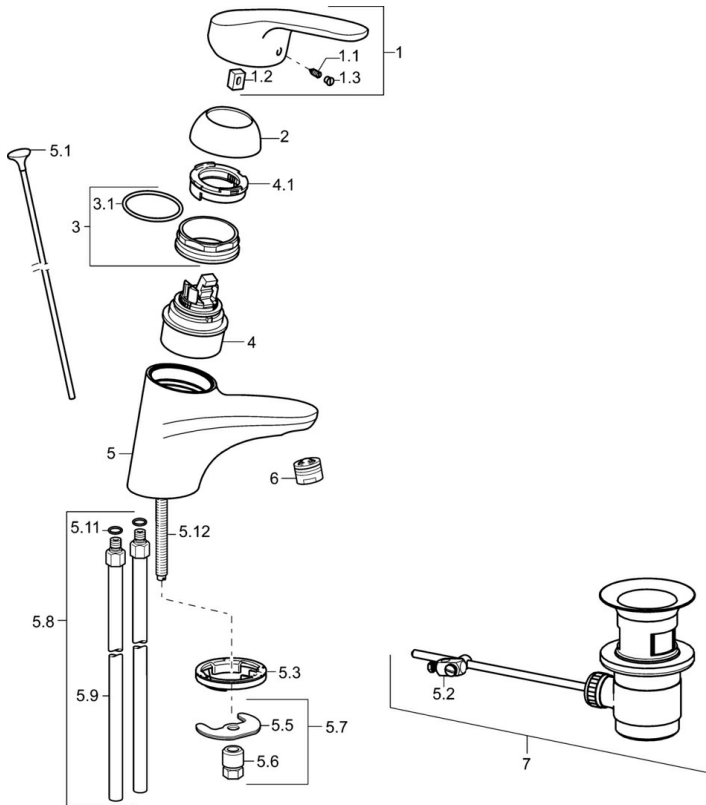
EN standard	EN 817
-------------	---------------

Approvals and Declarations

Declaration of conformity	DoC
---------------------------	------------



Spare parts



SP01092183

	Name	Code
1	Long lever, L=138	01880076
1	Lever, L=93 mm	01880083
1.1	Screw, M5x8, SW2.5	59904755
1.2	Bushing	59904778
1.3	Symbol plug Grey	59912112
2	Covering cap	59912638
3	Eye screw, M50x1, SW45	59904775
3.1	O-ring, d 43x2.5	59911166
4	Cartridge, 4.8 eco	59904601
4	Cartridge, 4.8 Eco-Top	59911431
4.1	Hot water limiter	59904759
5.1	Pop-up operating rod	59914053
5.2	Swivel joint	59904624
5.3	Bottom seal	59914591
5.5	Fixing plate	59904765
5.6	Screw, M8x1, SW13	59904766
5.7	Fixing set	59910749
5.8	Installation coupling pair	59911791
5.9	Coupling pipe, L=430, M10x1	59912550
5.11	O-ring, d 7.65x1.78	59902337
5.12	Fixing screw, M8x1, L=140	59912474
6	Aerator, M24x1 (2011-)	59913739
7	Pop-up waste	59904620