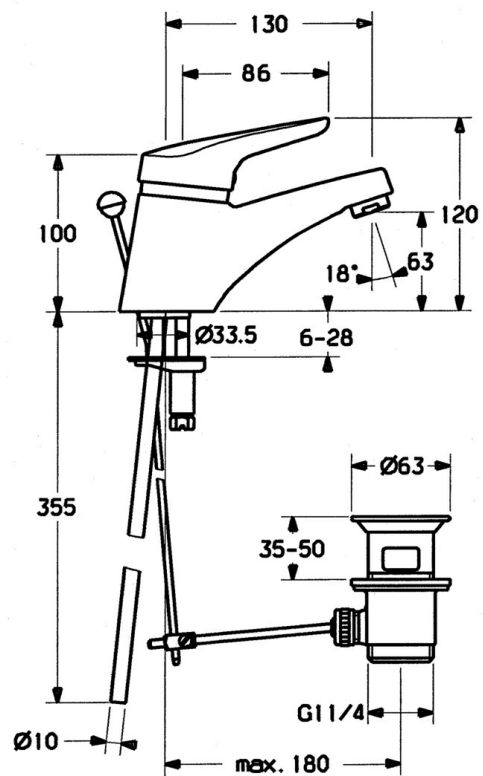


EAN: 4015474641143  
[static.hansa.com/01092102](http://static.hansa.com/01092102)



- Washbasin
- Single-lever
- Deck mounted
- Chrome
- Fixed spout
- Standard aerator
- Single operating lever/handle, Hot/Cold symbols
- Pop-up waste with draw-rod
- $\varnothing$  48 mm ceramic eco cartridge for flow and temperature control
- Copper inlet pipes
- Rapid installation system



## Technical data

---

### Flow properties

---

Flow-rate at 3 bar **13.2 l/min**

### Technical properties

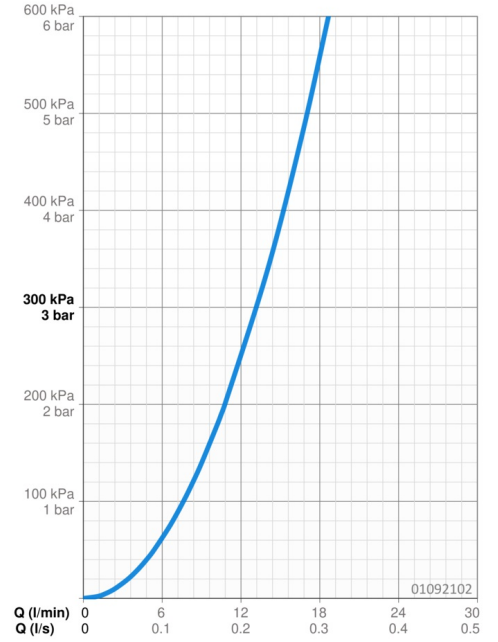
---

DN-size (nominal dimension) **DN15**  
Hot water supply **max. +80°C**  
Working pressure **0.5-10 bar**  
Connection size **Ø10**  
Projection **130 mm**  
Material **Brass**

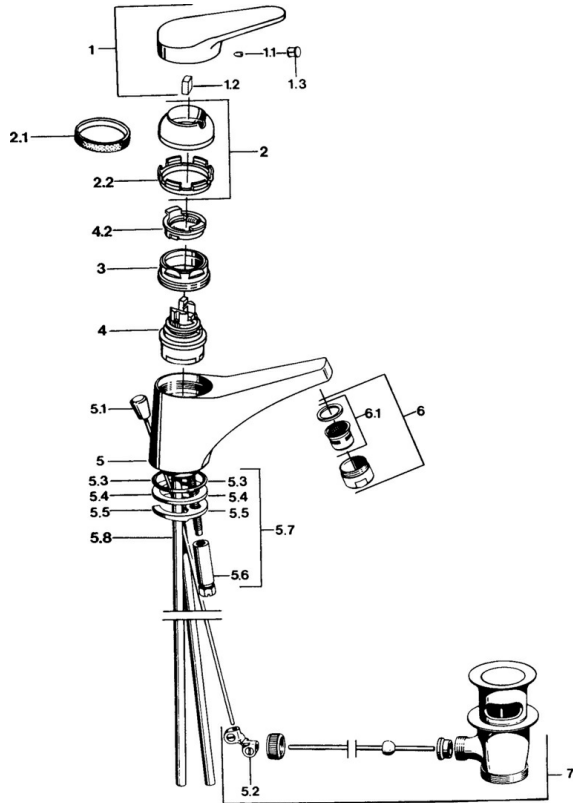
### Regulations

---

EN standard **EN 817**



## Spare parts



### SP01092102

	Name	Code
1	Lever, (-2004)	59901882
1.1	Screw, M5x8, SW2.5	59904755
1.2	Bushing	59904778
1.3	Plug, hot/cold	59906705
2	Covering cap, (-1994) Discontinued	59904756
2	Covering cap	59906563
2.1	Ring Discontinued	59905365
2.1	Ring Discontinued	59904809
2.2	Fixing sleeve	59906695
3	Eye screw, M50x1, SW45	59904775
4	Cartridge, 4.8 eco	59904601
4	Cartridge, 4.8 Eco-Top	59911431
4.2	Hot water limiter	59904759
5.2	Swivel joint	59904624
5.3	O-ring, 42x3.5	59904764
5.4	Gasket, 48x33.5x2	59902283
5.5	Fixing plate	59904765
5.6	Screw, M8x1, SW13	59904766
5.7	Fixing set	59910749
5.8	Pipe Discontinued	59905681
6	Aerator, M24x1 STD HC A	59902366
6	Aerator, M24x1 A White Discontinued	59905419
6.1	Aerator, M22/24 A	59902081
7	Pop-up waste	59904620
N.I.	Washer with chain holder	59902219
N.I.	Plug	59906910