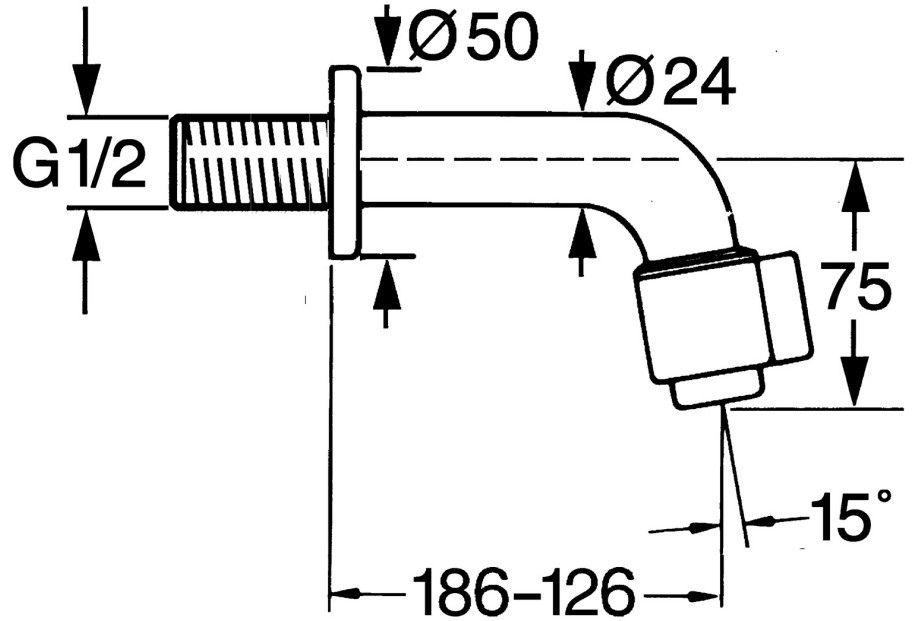
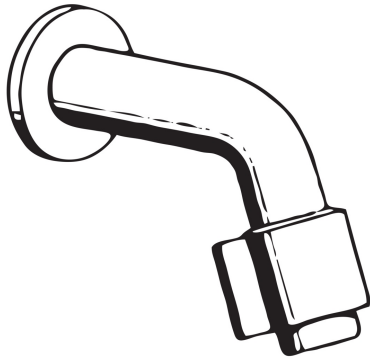


EAN: 4015474564794  
[static.hansa.com/00968101](http://static.hansa.com/00968101)



- Public & Semi-public
- Single-lever
- Wall mounted
- Chrome
- Fixed spout
- Standard aerator
- Single operating lever/handle
- Ceramic head part for flow control
- One inlet for cold or premixed water
- Flexible length / can be shortened



## Technical data

### Flow properties

Flow-rate at 3 bar **6.0 l/min**

### Technical properties

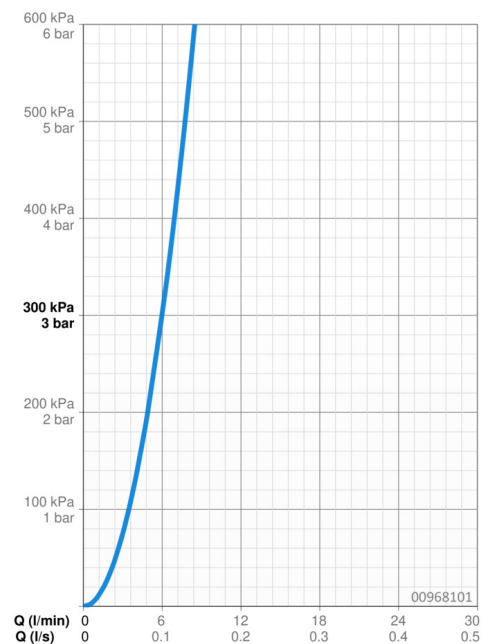
DN-size (nominal dimension) **DN15**  
 Hot water supply **max. +80°C**  
 Working pressure **0.5-10 bar**  
 Connection size **G1/2**  
 Projection **186 mm**  
 Backflow prevention (EN1717) **AA**  
 Material **Brass**

### Regulations

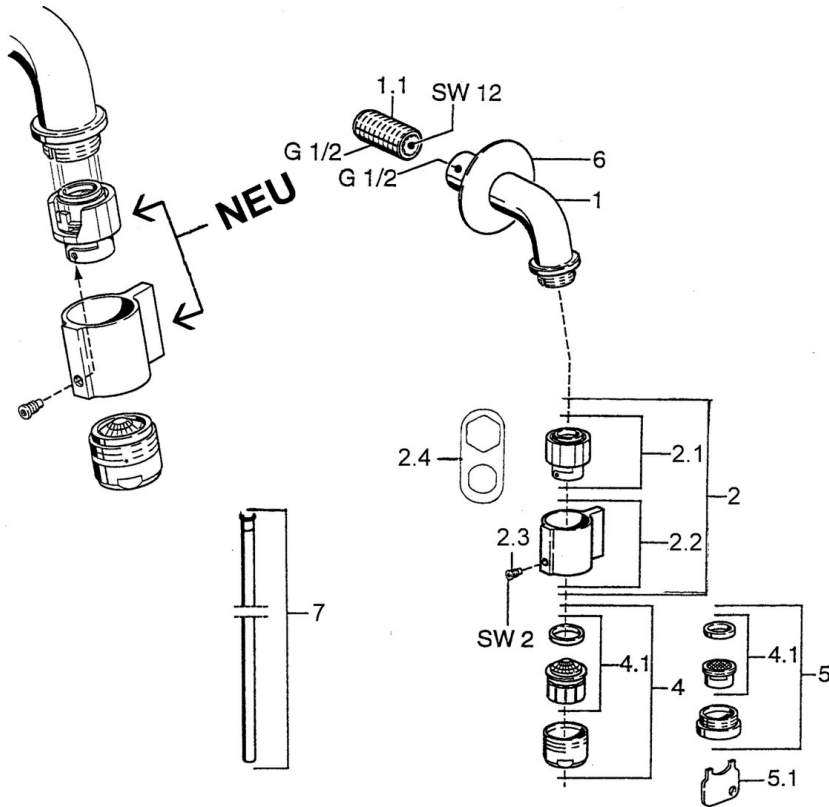
EN standard **EN 817**  
 Noise class **I (ISO 3822)**

### Approvals and Declarations

ABP **P-IX 38815/IZ**  
 Declaration of conformity **DoC**



## Spare parts



### SP00868101

	Name	Code
1.1	Nipple Discontinued	59905534
2	Headpart, (1999-)	59911780
2	Headpart, (1999-) White Discontinued	59911775
2.1	Headpart, (1999-)	59911777
2.2	Lever, (1999-)	59911781
2.3	Fixing screw, M4, SW2	59911778
2.4	Tool	59912334
4	Aerator, M24x1 A White Discontinued	59905419
4	Aerator, M24x1 Z	59906826
4.1	Aerator, M22/24, Z	59906830
5	Aerator, M24x1 STD CC Z	59905721
5.1	Key for aerator	59905789
6	Covering cap Discontinued	59905678
7	Coupling pipe Discontinued	59910629