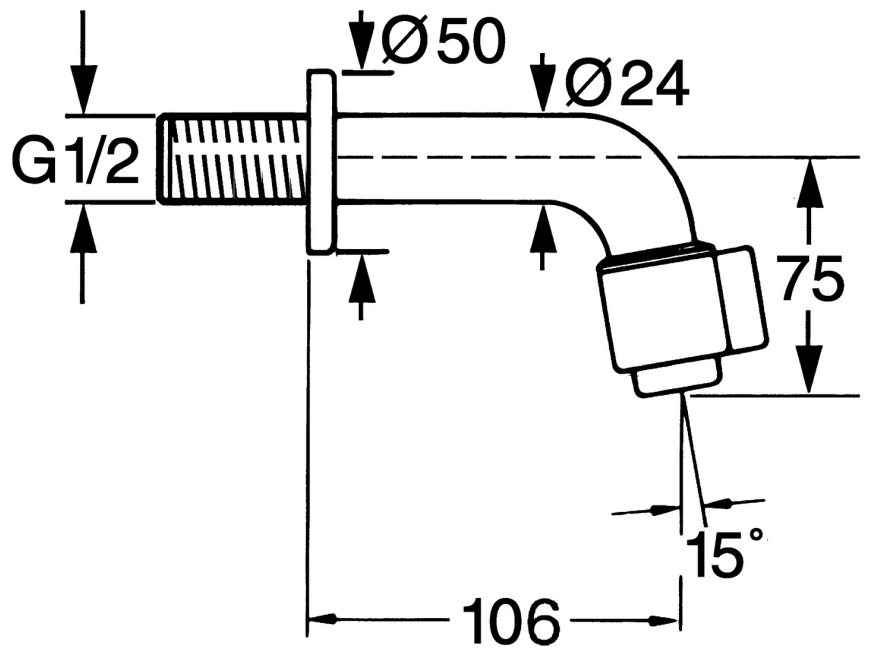
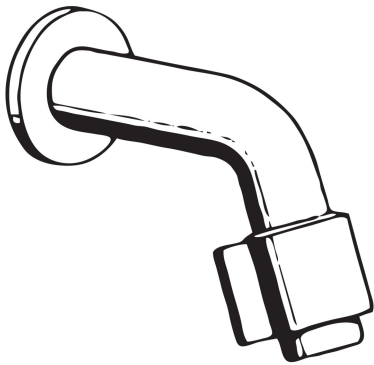


EAN: 4015474564732
static.hansa.com/00868101



- Public & Semi-public
- Single-lever
- Wall mounted
- Chrome
- Fixed spout
- Standard aerator
- Single operating lever/handle
- Ceramic head part for flow control
- One inlet for cold or premixed water



Technical data

Flow properties

Flow-rate at 3 bar **6.0 l/min**

Technical properties

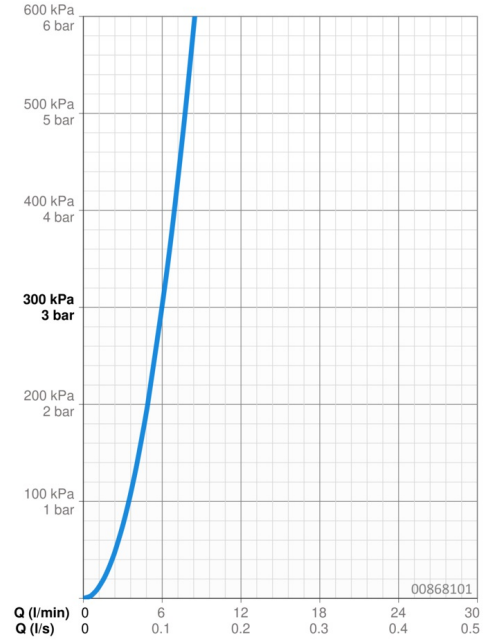
DN-size (nominal dimension) **DN15**
 Hot water supply **max. +80°C**
 Working pressure **0.5-10 bar**
 Connection size **G1/2**
 Projection **106 mm**
 Backflow prevention (EN1717) **AA**
 Material **Brass**

Regulations

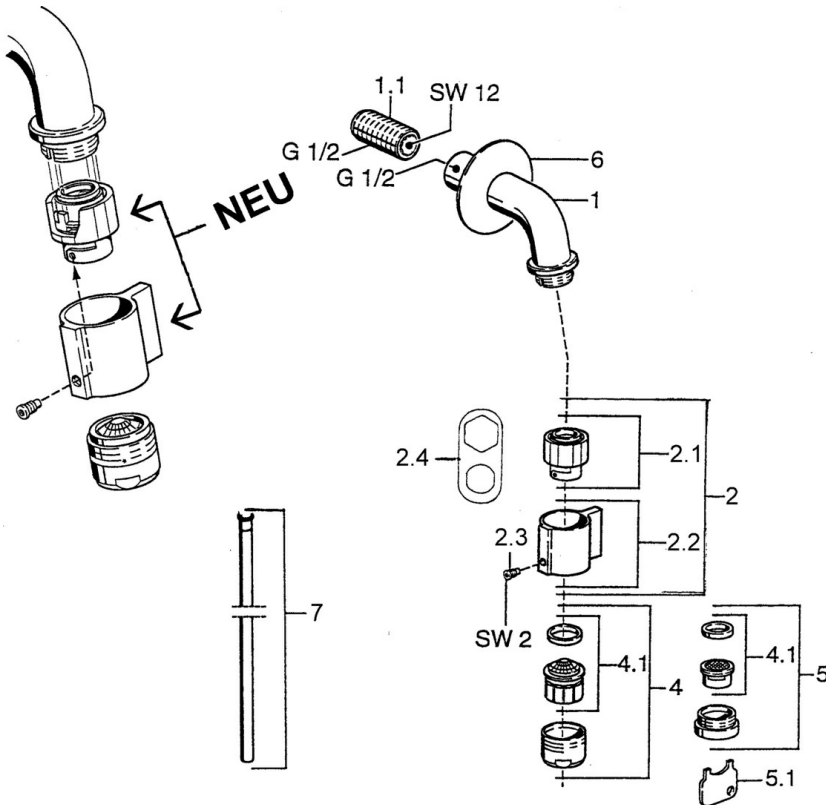
EN standard **EN 817**
 Noise class **I (ISO 3822)**

Approvals and Declarations

ABP **P-IX 38815/IZ**
 Declaration of conformity **DoC**



Spare parts



SP00868101

	Name	Code
1.1	Nipple Discontinued	59905534
2	Headpart, (1999-)	59911780
2	Headpart, (1999-) White Discontinued	59911775
2.1	Headpart, (1999-)	59911777
2.2	Lever, (1999-)	59911781
2.3	Fixing screw, M4, SW2	59911778
2.4	Tool	59912334
4	Aerator, M24x1 A White Discontinued	59905419
4	Aerator, M24x1 Z	59906826
4.1	Aerator, M22/24, Z	59906830
5	Aerator, M24x1 STD CC Z	59905721
5.1	Key for aerator	59905789
6	Covering cap Discontinued	59905678
7	Coupling pipe Discontinued	59910629