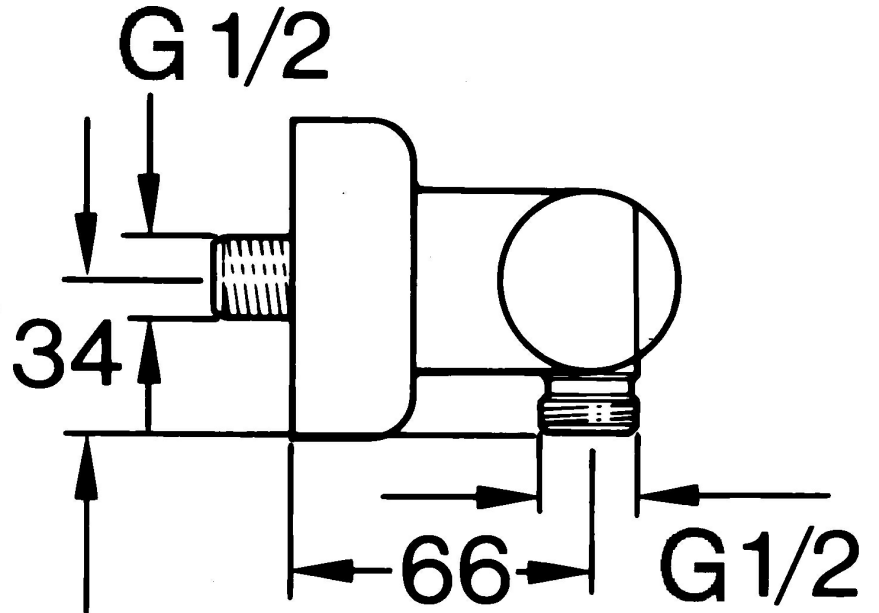


EAN: 4015474606074
static.hansa.com/0075010593

- Shower solutions
- Thermostatic
- Wall mounted
- Non-return valve(s)
- Silencer(s)

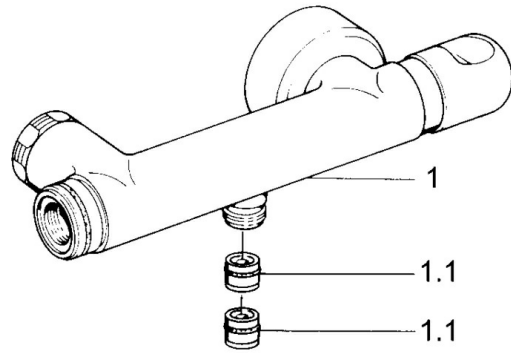
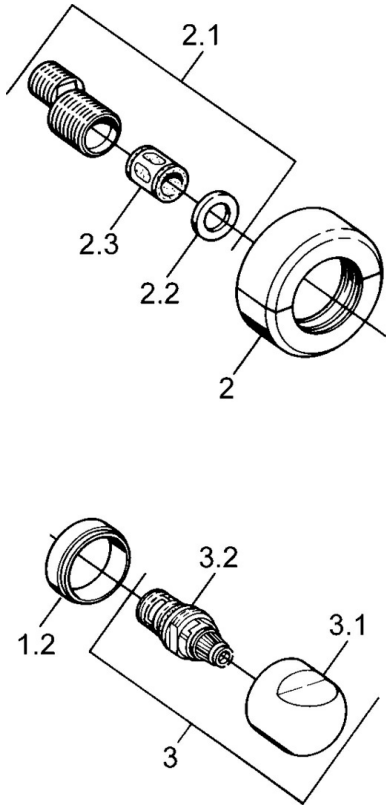


Technical data

Technical properties

Hot water supply	max. +80°C
Working pressure	0.5-10 bar
Backflow prevention (EN1717)	EB

Spare parts



SP00750105

	Name	Code
1.1	Non-return valve	59905714
1.2	Decorative ring Discontinued	59910797
2	Cover flange pair Discontinued	59911022
2.1	Eccentric connector, G3/4xG1/2, DN15	59910254
2.2	Retaining ring, 23.9x15.2x2	59902689
2.3	Silencer	59904792
3.1	Handle Discontinued	59910211
3.1	Temperature control handle Discontinued	59910210
3.2	Headpart, G1/2	59905114