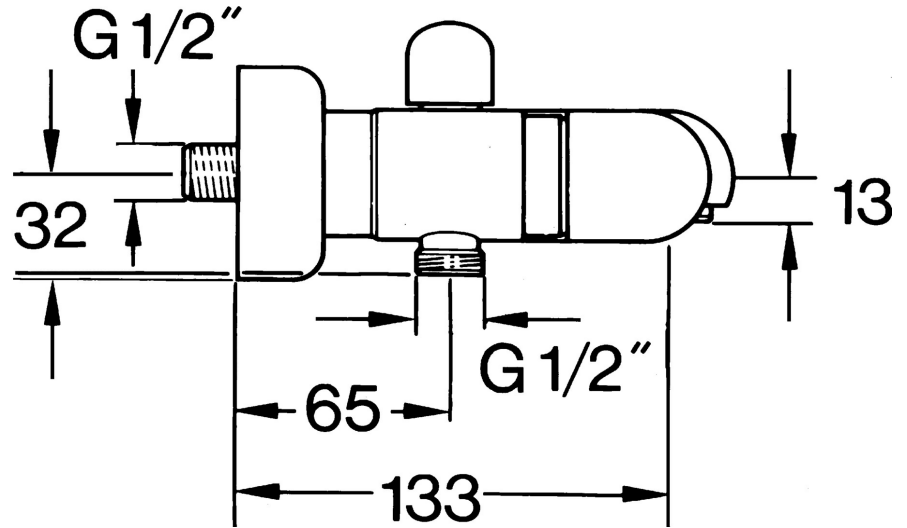


EAN: 4015474606456
static.hansa.com/0074210586

- Bathtub & Shower
- Two-grip
- Wall mounted
- Non-return valve(s)
- Silencer(s)

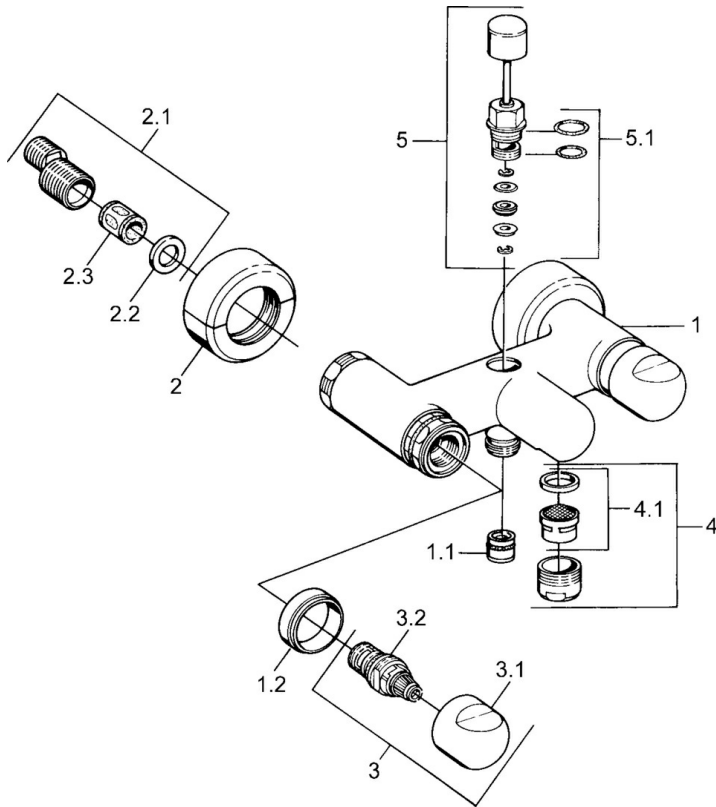


Technical data

Technical properties

Hot water supply	max. +80°C
Working pressure	0.5-10 bar
Backflow prevention (EN1717)	EB

Spare parts



SP00742105

	Name	Code
1.1	Non-return valve	59905714
1.2	Decorative ring Discontinued	59910797
2	Cover flange pair Discontinued	59911022
2.1	Eccentric connector, G3/4xG1/2, DN15	59910254
2.2	Retaining ring, 23.9x15.2x2	59902689
2.3	Silencer	59904792
3.1	Handle Discontinued	59910211
3.1	Temperature control handle Discontinued	59910210
3.2	Headpart, G1/2	59905114
4	Aerator, M28x1 C	59902088
4	Aerator, M28x1 C White Discontinued	59905683
4	Aerator, M28x1 Edelmessing Discontinued	59906687
4.1	Aerator, M22/M24	59905873
5	Diverter White Discontinued	59910804
5	Diverter	59910803
5	Diverter Edelmessing Discontinued	59910806
5.1	Sealing kit	59904791