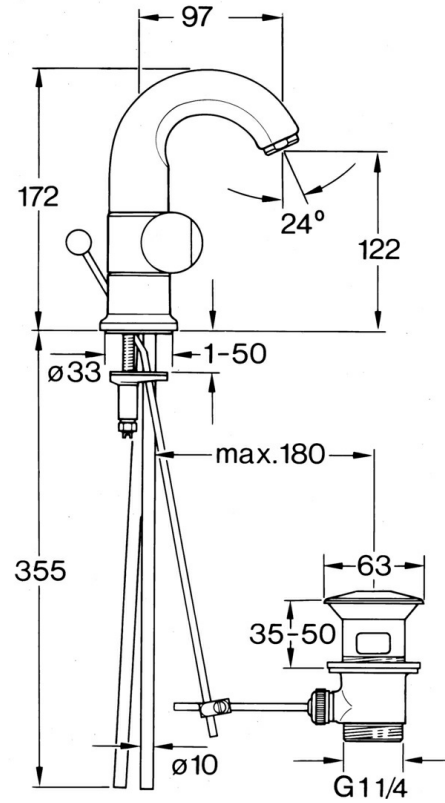


EAN: 4015474606401  
[static.hansa.com/0071210593](http://static.hansa.com/0071210593)

- Washbasin
- Two-grip
- Deck mounted

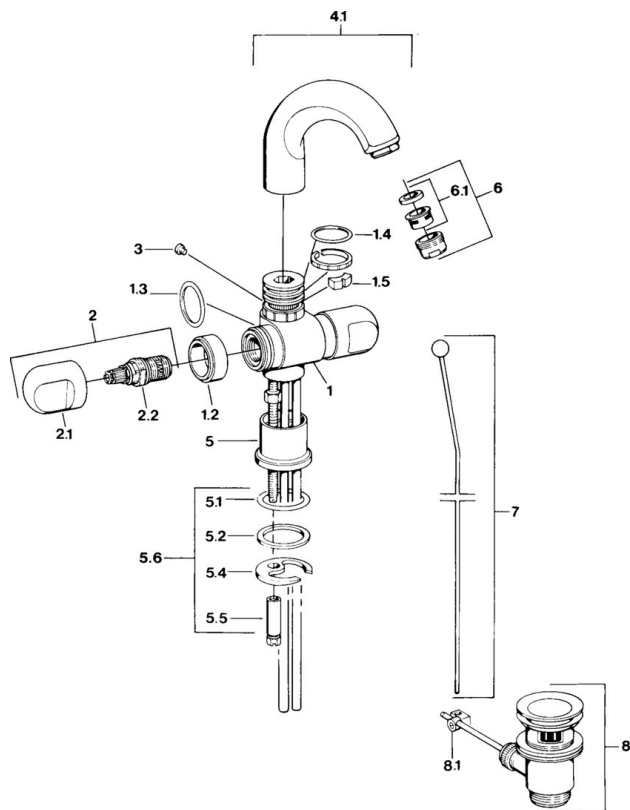


## Technical data

### Technical properties

|                  |                   |
|------------------|-------------------|
| Hot water supply | <b>max. +80°C</b> |
| Working pressure | <b>0.5-10 bar</b> |
| Material         | <b>Brass</b>      |

## Spare parts



### SP00712105

|     | Name   | Code     |
|-----|--|----------|
| 1.2 | Decorative ring Discontinued                     | 59910797 |
| 1.4 | O-ring, 32x2.5 Discontinued                      | 59910233 |
| 1.5 | Limiter Discontinued                             | 59910534 |
| 2.1 | Handle Discontinued                              | 59910211 |
| 2.1 | Temperature control handle Discontinued          | 59910210 |
| 2.2 | Headpart, G1/2                                   | 59905114 |
| 3   | Fixing bolt, M4 Discontinued                     | 59910234 |
| 4.1 | Spout Discontinued                               | 59911031 |
| 5.1 | O-ring, d 38x3.5                                 | 59910236 |
| 5.2 | Gasket, 48x33.5x2                                | 59902283 |
| 5.4 | Fixing plate                                     | 59904765 |
| 5.5 | Screw, M8x1, SW13                                | 59904766 |
| 5.6 | Fixing set                                       | 59910749 |
| 6   | Aerator, M24x1 A White Discontinued              | 59905419 |
| 6   | Aerator, M24x1 STD CC A Edelmessing Discontinued | 59906580 |
| 6   | Aerator, M24x1 STD HC A                          | 59902366 |
| 6.1 | Aerator, M22/24 A                                | 59902081 |
| 7   | Knob Discontinued                                | 59910230 |
| 8   | Pop-up waste Edelmessing Discontinued            | 59906734 |
| 8   | Pop-up waste                                     | 59904620 |
| 8.1 | Swivel joint                                     | 59904624 |